

# MOBOLE VERTICAL LIFTS

## PARTS MANUAL

(For GTWY8-1200 / GTWY10-1200 / GTWY12-1200 / GTWY14-1200)



### **WARNING**

THE MANUFACTURER SHALL NOT BE HELD LIABLE IN CASE OF FAULTS OR ACCIDENTS DUE TO NEGLIGENCE, INCAPACITY, INSTALLATION BY UNQUALIFIED TECHNICIANS AND IMPROPER USE OF THE MACHINE

DO NOT OPERATE THIS MACHINE UNTIL YOU READ AND UNDERSTAND ALL THE DANGERS, WARNINGS AND CAUTIONS IN THIS MANUAL

Part Number : SM0612213



### Version of the Record

<b>Version Number</b>	<b>Create Date</b>
SM0612213_Rev1.0 .....	2012-12
SM0612213_Rev2.0 .....	2013-11
SM0612213_Rev3.0 .....	2014-08
SM0612213_Rev4.0 .....	2015-06



## Table of Contents

### Section1-Chassis

Figure 1-1	Chassis Assembly (GTWY8/10/12-1200) .....	1-1
Figure 1-2	Chassis Assembly (GTWY14-1200) .....	1-4
Figure 1-3	Safety Assembly .....	1-7
Figure 1-4	Auxiliary Wheel Assembly.....	1-8
Figure 1-5	Rear Wheel Assembly .....	1-9
Figure 1-6	Outrigger Assembly .....	1-10
Figure 1-7	Tilt-back Frame and Chassis Installation (GTWY14-1200) .....	1-12
Figure 1-8	Tilt-back Frame Assembly (GTWY14-1200) .....	1-13
Figure 1-9	Glide Frame Assembly (GTWY14-1200) .....	1-15
Figure 1-10	Orientation Frame (GTWY14-1200) .....	1-16
Figure 1-11	Support Frame (GTWY14-1200).....	1-17

### Section2- Mast

Figure 2-1	Mast and Chassis Installation (GTWY8/10/12-1200).....	2-1
Figure 2-2	Mast and Chassis Installation (GTWY14-1200).....	2-3
Figure 2-3	Mast and Accessory Assembly (GTWY8/10/12-1200).....	2-5
Figure 2-4	Orientation Assembly (GTWY8/10/12-1200).....	2-8
Figure 2-5	Pivot Support Assembly (GTWY8/10/12-1200).....	2-10
Figure 2-6	Pumping Station Assembly 1 (DC Model).....	2-12
Figure 2-7	Ground Control Box Assembly (DC Model) .....	2-14
Figure 2-8	Pumping Station Assembly 2 (DC Model).....	2-15
Figure 2-9	Pumping Station Assembly 1 (AC Model) .....	2-17
Figure 2-10	Ground Control Box Assembly (AC Model).....	2-18
Figure 2-11	Pumping Station Assembly 2 (AC Model) .....	2-20
Figure 2-12	Battery Box Assembly 1 (DC Model) .....	2-22
Figure 2-13	Battery Box Assembly 2 (DC Model) .....	2-24
Figure 2-14	Mast and Accessory Assembly (GTWY14-1200).....	2-26
Figure 2-15	Mast Assembly (GTWY8-1200) .....	2-29
Figure 2-16	Mast Assembly (GTWY10-1200) .....	2-32
Figure 2-17	Mast Assembly (GTWY12-1200) .....	2-35
Figure 2-18	Mast Assembly (GTWY14-1200) .....	2-38
Figure 2-19	Trolley Seat Assembly .....	2-41
Figure 2-20	Lifting Chain Assembly (GTWY8-1200) .....	2-42
Figure 2-21	Lifting Chain Assembly (GTWY10/14-1200) .....	2-44

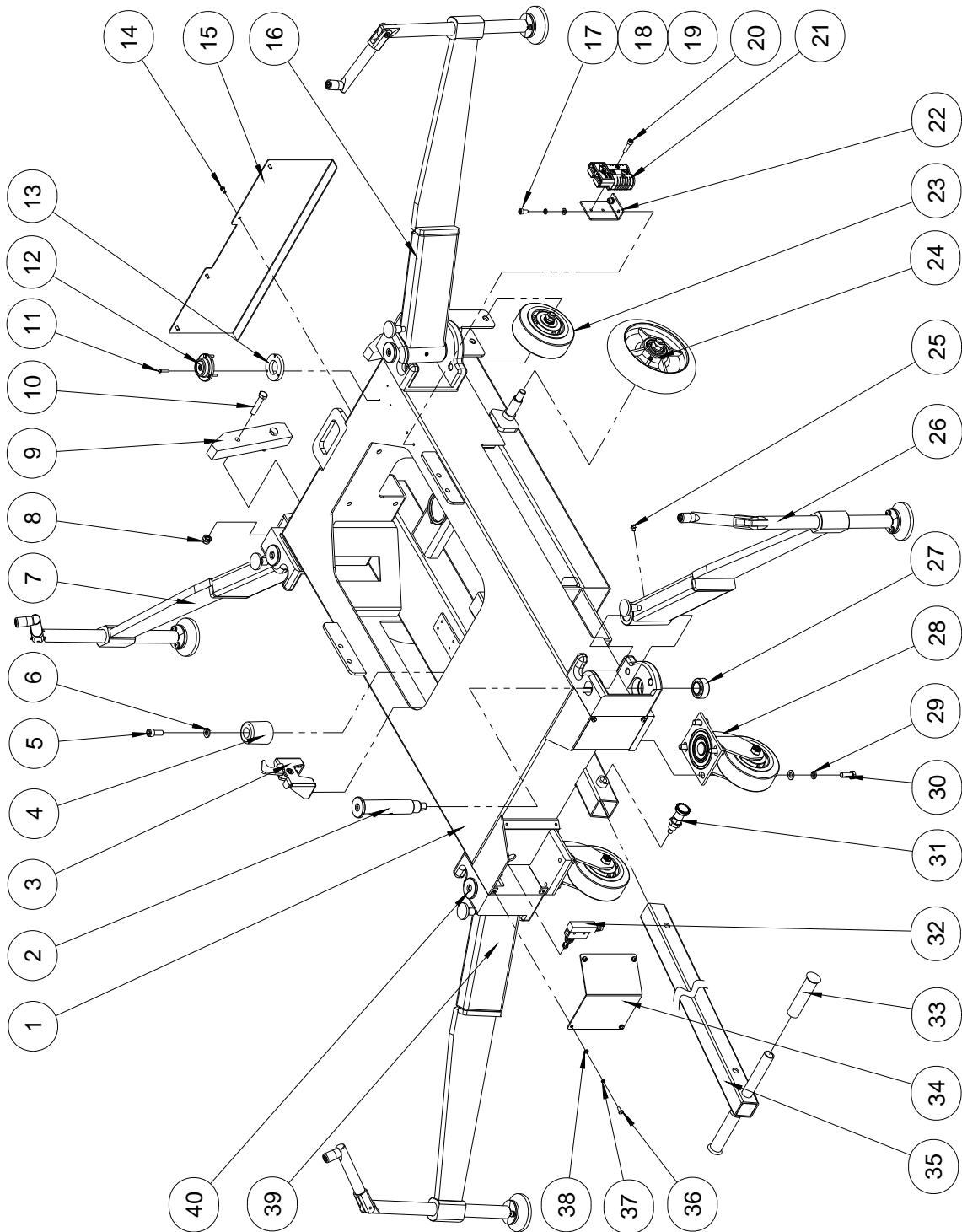
---

Figure 2-22	Lifting Chain Assembly (GTWY12-1200) .....	2-47
Figure 2-23	3-3 Mast Chain Wheel Assembly .....	2-49
Figure 2-24	2-2 Mast Chain Wheel Assembly .....	2-50
Figure 2-25	4-4 Mast Chain Wheel Assembly .....	2-51
Figure 2-26	5-5 Mast Chain Wheel Assembly (GTWY10/12/14-1200).....	2-52
Figure 2-27	4-4 Mast Chain Wheel Assembly (GTWY10/12/14-1200).....	2-53
<b>Section3 Platform</b>		
Figure 3-1	Platform and Mast Installation .....	3-1
Figure 3-2	Platform Assembly .....	3-3
<b>Section4 Hydraulic System</b>		
Figure 4-1	Hydraulic Cylinder Assembly .....	4-1
Figure 4-2	Hydraulic Hoses and Fittings (DC Model) .....	4-3
Figure 4-3	Hydraulic Hoses and Fittings (AC Model) .....	4-4

# Chassis

# Section 1

Figure 1-1 Chassis Assembly (GTWY8/10/12-1200)



**Figure 1-1 Chassis Assembly (GTWY8/10/12-1200)**

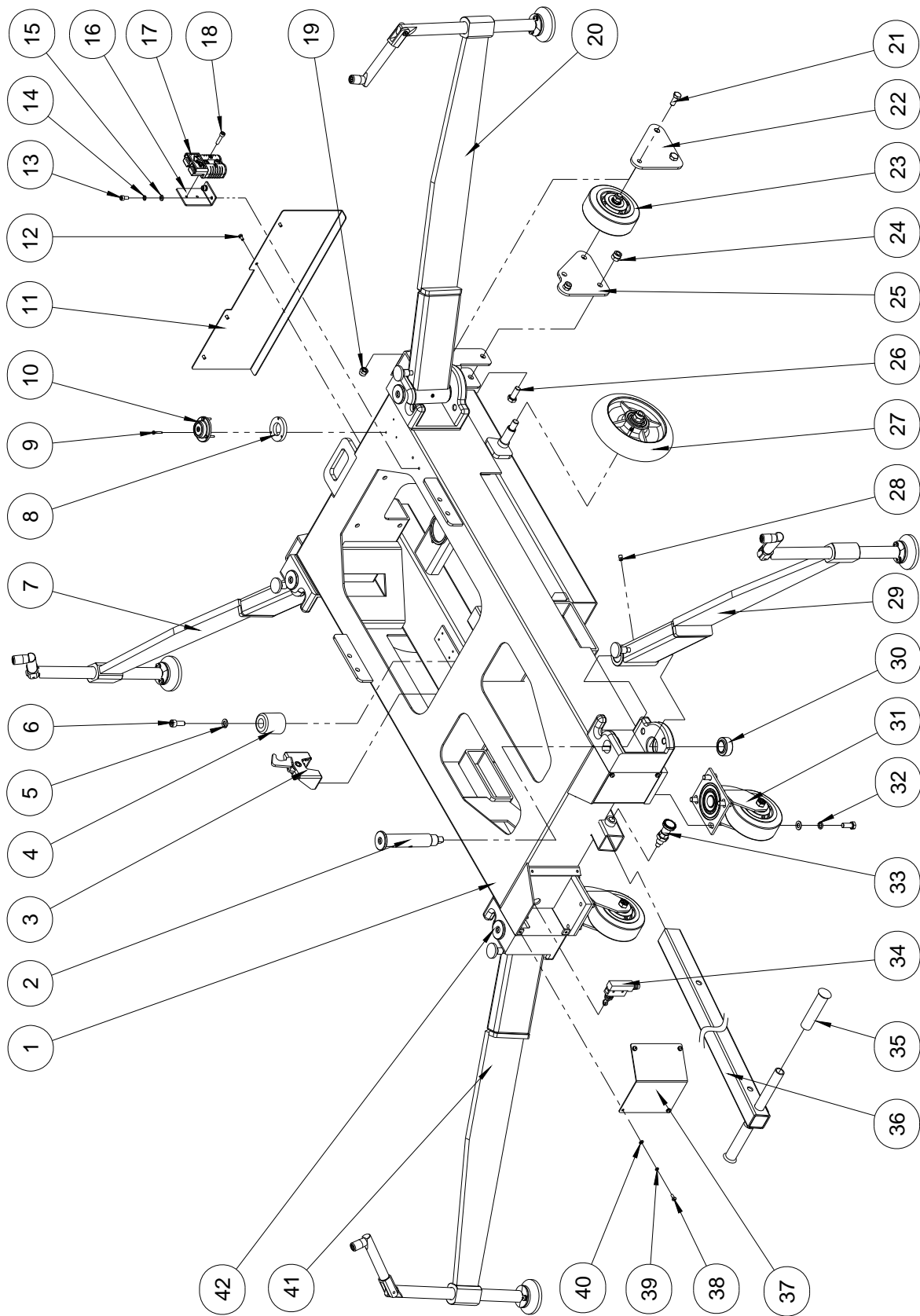
Item	Part Number	Description	Qty.	Remark
1	EGTWY10-111000	Chassis weldment	1	
2	GTWY10-1000-100010a	Pin	2	
3	EGTWY10-120100	Safety assembly (Refer to 1-3)	1	
4	JCPT1212HD-10013A	Rubber pad	2	
5	GB/T 70.1-2000	Screw M10×25	2	
6	GB/T 97.1-2002	Washer 10	10	
7	EGTWY10-118000a	Outrigger assembly, right and back (Refer to 1-6)	1	
8	GB/T 889.1-2000	Nut M10	4	
9	EGTWY10-110004	Glide block	2	
10	GB/T 5783-2000	Bolt M10×50	4	
11	GB/T 5783-2000	Bolt M4×20	3	
12	JCPT5007M-00001	Bubble level	1	
13	JCPT5007M-00002	Bubble level mat	1	
14	GB/T 5783-2000	Bolt M5×10	4	
15	EGTWY10-110003	Rear cover	1	
16	EGTWY10-117000	Outrigger assembly, left and back (Refer to 1-6)	1	
17	GB/T 70.1-2000	Screw M6×12	2	DC Model
18	GB/T 93-1987	Spring washer 6	2	
19	GB/T 97.1-2002	Washer 6	2	
20	GB/T 70.1-2000	Screw M6×25	2	
21	6911-0105102-01	Connector RA175-Female	1	
22	EGTWY10-110007	Plate	1	
23	EGTWY10-116000	Auxiliary wheel assembly (Refer to 1-4)	2	
24	EGTWY10-115000	Rear wheel assembly (Refer to 1-5)	2	
25	GB/T 79-2000	Screw M8×12	4	
26	EGTWY10-117000a	Outrigger assembly, left and front (Refer to 1-6)	1	



**Figure 1-1 Chassis Assembly (GTWY8/10/12-1200)**

Item	Part Number	Description	Qty.	Remark
27	GB/T 9163-2001	Bearing GE-25UK	4	
28	EGTWY10-114000	Swivel caster, 5x2 inches	2	
29	GB/T 93-1987	Spring washer 10	8	
30	GB/T 5783-2000	Bolt M10x25	8	
31	EGTWY10-112000	Lock pin	1	
32	6909-0757004-01	Limit switch	4	
33	EGTWY8-810002	Rubber grip	2	
34	EGTWY10-110005	Limit switch cover board	2	
35	EGTWY10-113100	T-handle weldment	1	
36	GB/T 818-2000	Screw M5x12-H	8	
37	GB/T 93-1987	Spring washer 5	8	
38	GB/T 97.1-2002	Washer 5	8	
39	EGTWY10-118000	Outrigger assembly, right and front (Refer to 1-6)	1	
40	GTWY10-1000-100010	Pin	2	

Figure 1-2 Chassis Assembly (GTWY14-1200)



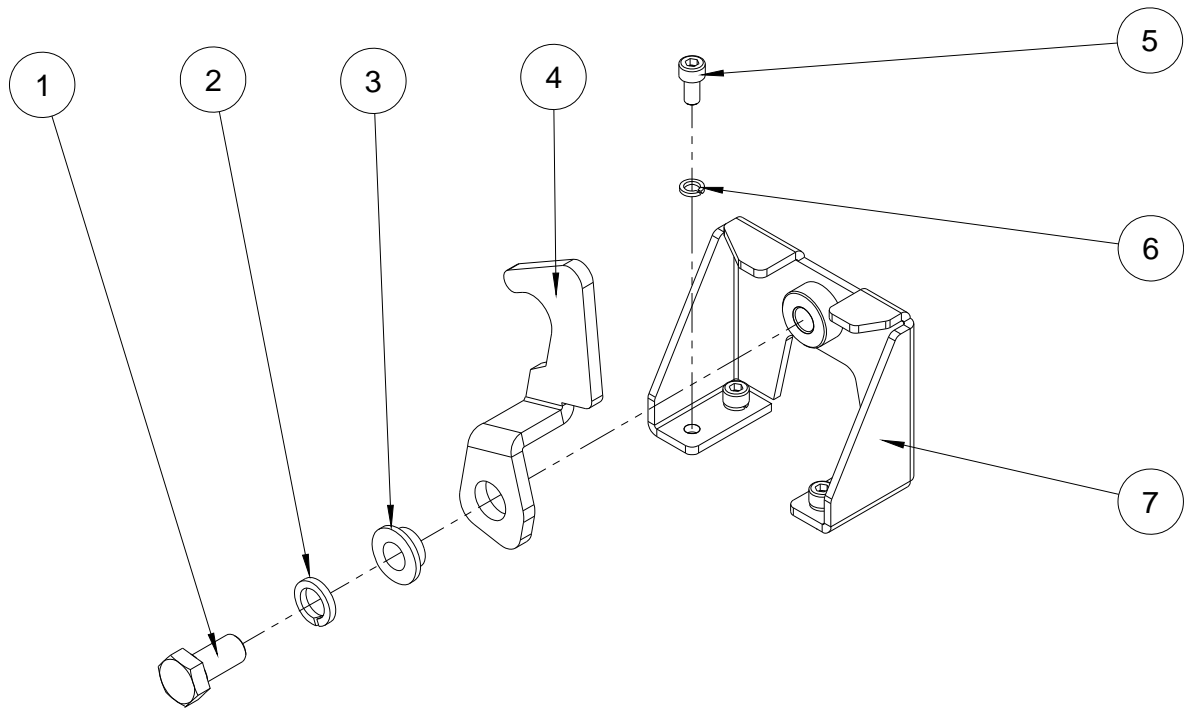
**Figure 1-2 Chassis Assembly (GTWY14-1200)**

Item	Part Number	Description	Qty.	Remark
1	EGTWY12-111000	Chassis weldment	1	
2	GTWY10-1000-100010a	Pin	2	
3	EGTWY10-120100	Safety assembly (Refer to 1-3)	1	
4	JCPT1212HD-10013A	Rubber pad	2	
5	GB/T 70.1-2000	Screw M10×25	2	
6	GB/T 97.1-2002	Washer 10	10	
7	EGTWY12-118000a	Outrigger assembly, right and back (Refer to 1-6)	1	
8	JCPT5007M-00002	Bubble level mat	1	
9	JCPT5007M-00001	Bubble level	1	
10	GB/T 5783-2000	Bolt M4×20	3	
11	GB/T 5783-2000	Bolt M5×10	4	
12	EGTWY10-110003	Rear cover	1	
13	GB/T 70.1-2000	Screw M6×12	2	DC Model
14	GB/T 93-1987	Spring washer 6	2	
15	GB/T 97.1-2002	Washer 6	2	
16	GB/T 70.1-2000	Screw M6×25	2	
17	6911-0105102-01	Connector RA175-Female	1	
18	EGTWY10-110007	Plate	1	
19	GB/T 889.1-2000	Nut M10	4	
20	EGTWY12-117000	Outrigger assembly, left and back (Refer to 1-6)	1	
21	GB/T 5783-2000	Bolt M10×25	12	
22	EGTWY12-110002	Triangle plate	2	
23	EGTWY10-116000	Auxiliary wheel assembly (Refer to 1-4)	2	
24	GB/T 889.1-2000	Nut M12	4	
25	EGTWY12-110004	Triangle plate	2	
26	GB/T 5783-2000	Bolt M12×30	4	
27	EGTWY10-115000	Rear wheel assembly (Refer to 1-5)	2	

**Figure 1-2 Chassis Assembly (GTWY14-1200)**

Item	Part Number	Description	Qty.	Remark
28	GB/T 79-2000	Screw M8x12	4	
29	EGTWY12-117000a	Outrigger assembly, left and front (Refer to 1-6)	1	
30	GB/T 9163-2001	Bearing GE-25UK	4	
31	EGTWY10-114000	Swivel caster, 5 x 2 inches	2	
32	GB/T 93-1987	Spring washer 10	8	
33	EGTWY10-112000	Lock pin	1	
34	6909-0757004-01	Limit switch	4	
35	EGTWY8-810002	Rubber grip	2	
36	EGTWY12-113100	T-handle weldment	1	
37	EGTWY10-110005	Limit switch cover board	2	
38	GB/T 818-2000	Screw M5x12-H	8	
39	GB/T 93-1987	Spring washer 5	8	
40	GB/T 97.1-2002	Washer 5	8	
41	EGTWY12-118000	Outrigger assembly, right and front (Refer to 1-6)	1	
42	GTWY10-1000-100010	Pin	2	

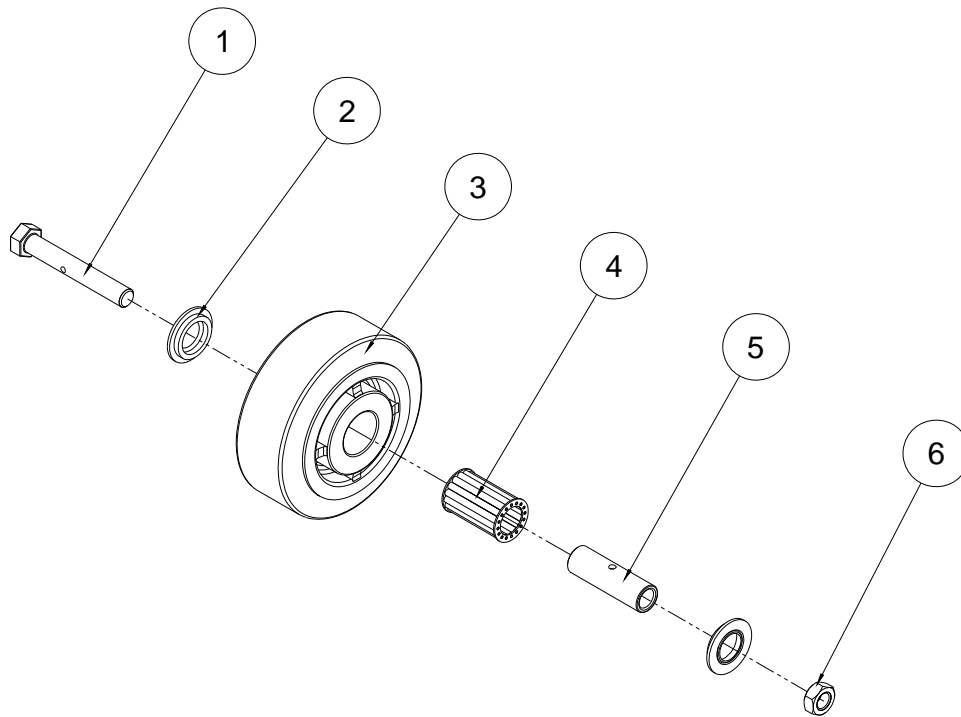
**Figure 1-3 Safety Assembly**



**Figure 1-3 Safety Assembly**

Item	Part Number	Description	Qty.	Remark
1	GB/T 5783-2000	Bolt M10x20	1	
2	GB/T 93-1987	Spring washer 10	1	
3	EGTWY10-121303	Hook bushing	1	
4	EGTWY10-120101	Hook	1	
5	GB/T 70.1-2002	Screw M5x10	4	
6	GB/T 93-1987	Spring washer 5	4	
7	EGTWY10-120110	Safety weldment	1	

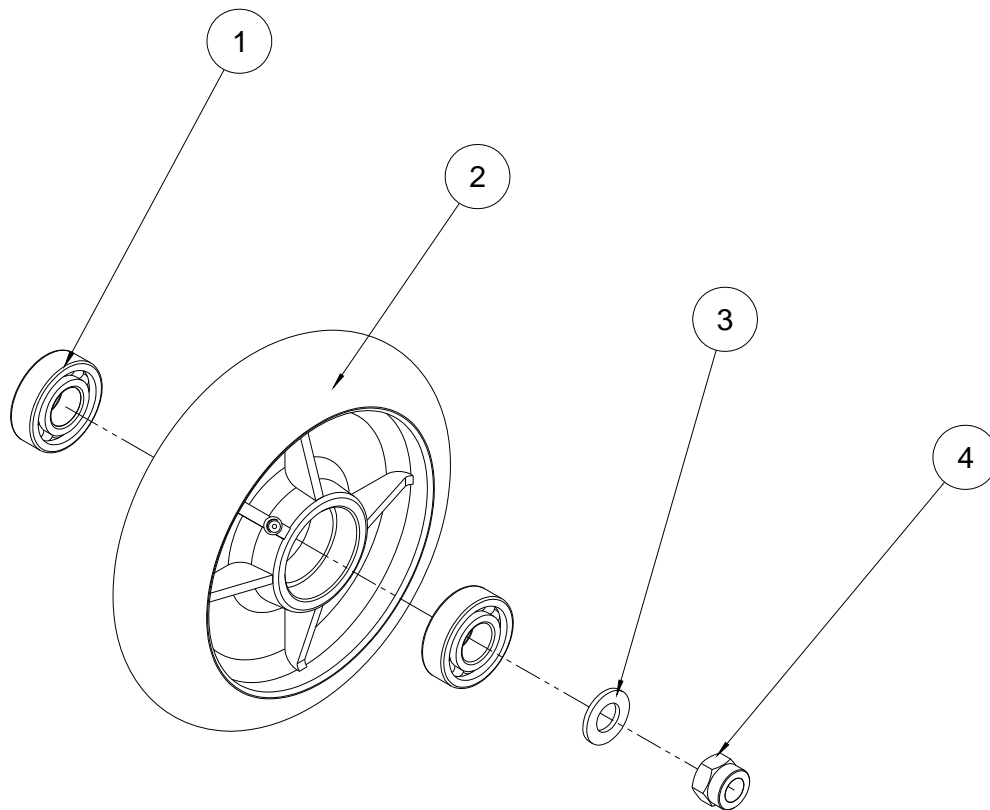
**Figure 1-4 Auxiliary Wheel Assembly**



**Figure 1-4 Auxiliary Wheel Assembly**

Item	Part Number	Description	Qty.	Remark
1	EGTWY10-116004	Bolt 1/2"	1	
2	EGTWY10-116002	Dust cap	2	
3	EGTWY10-116001	Rear wheel 5"x2"	1	
4	EGTWY10-116100	Bearing	1	
5	EGTWY10-116003	Bushing	1	
6	0.5000-13-D-N	Nut	1	

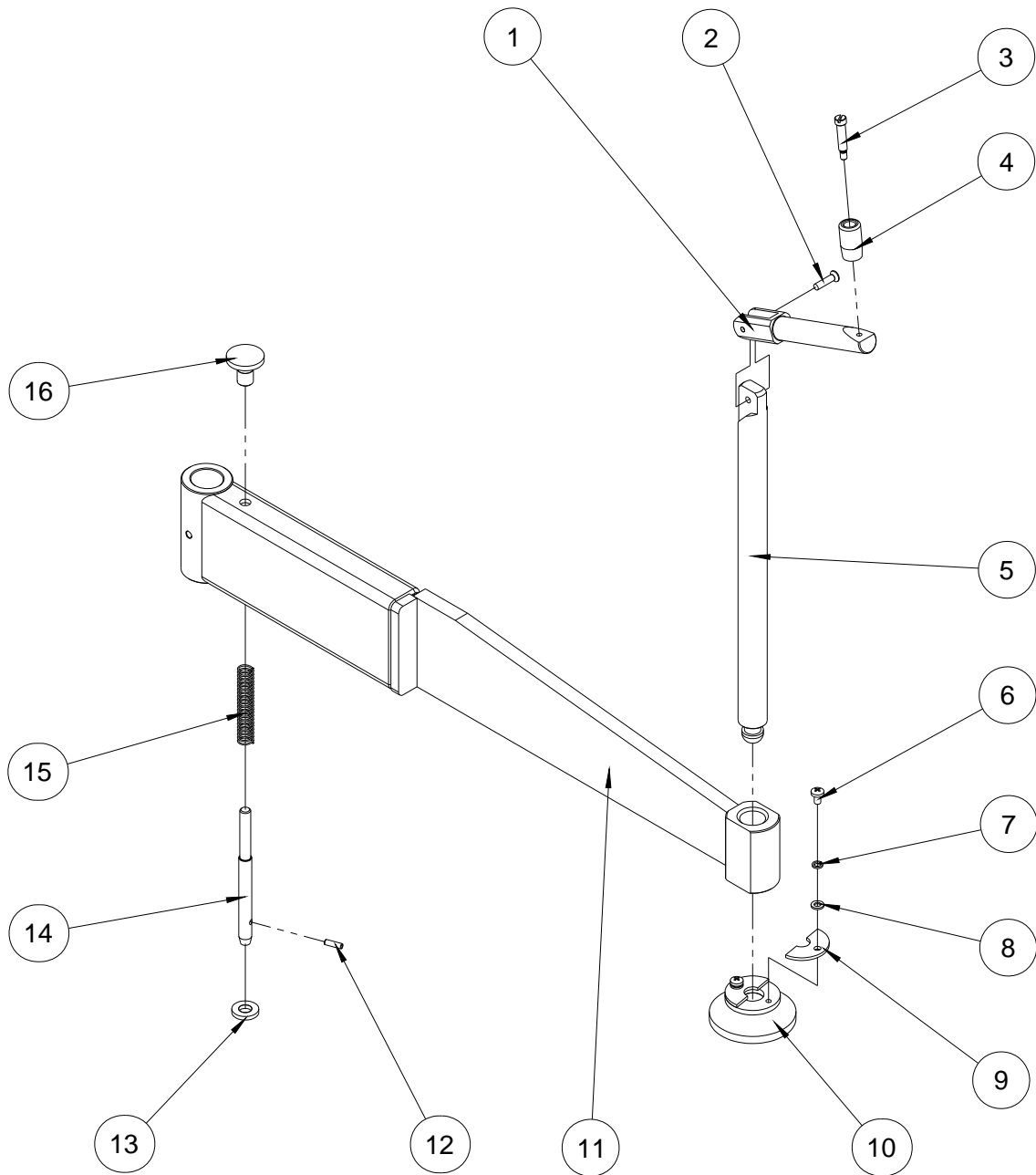
**Figure 1-5 Rear Wheel Assembly**



**Figure 1-5 Rear Wheel Assembly**

Item	Part Number	Description	Qty.	Remark
1	GB/T 276-1994	Bearing 6204	2	
2	EGTWY10-115001	Rear wheel 8"x2"	1	
3	GB/T 97.1-2002	Washer 14	1	
4	GB/T 889.2-2000	Nut M14x1.5	4	

Figure 1-6 Outrigger Assembly

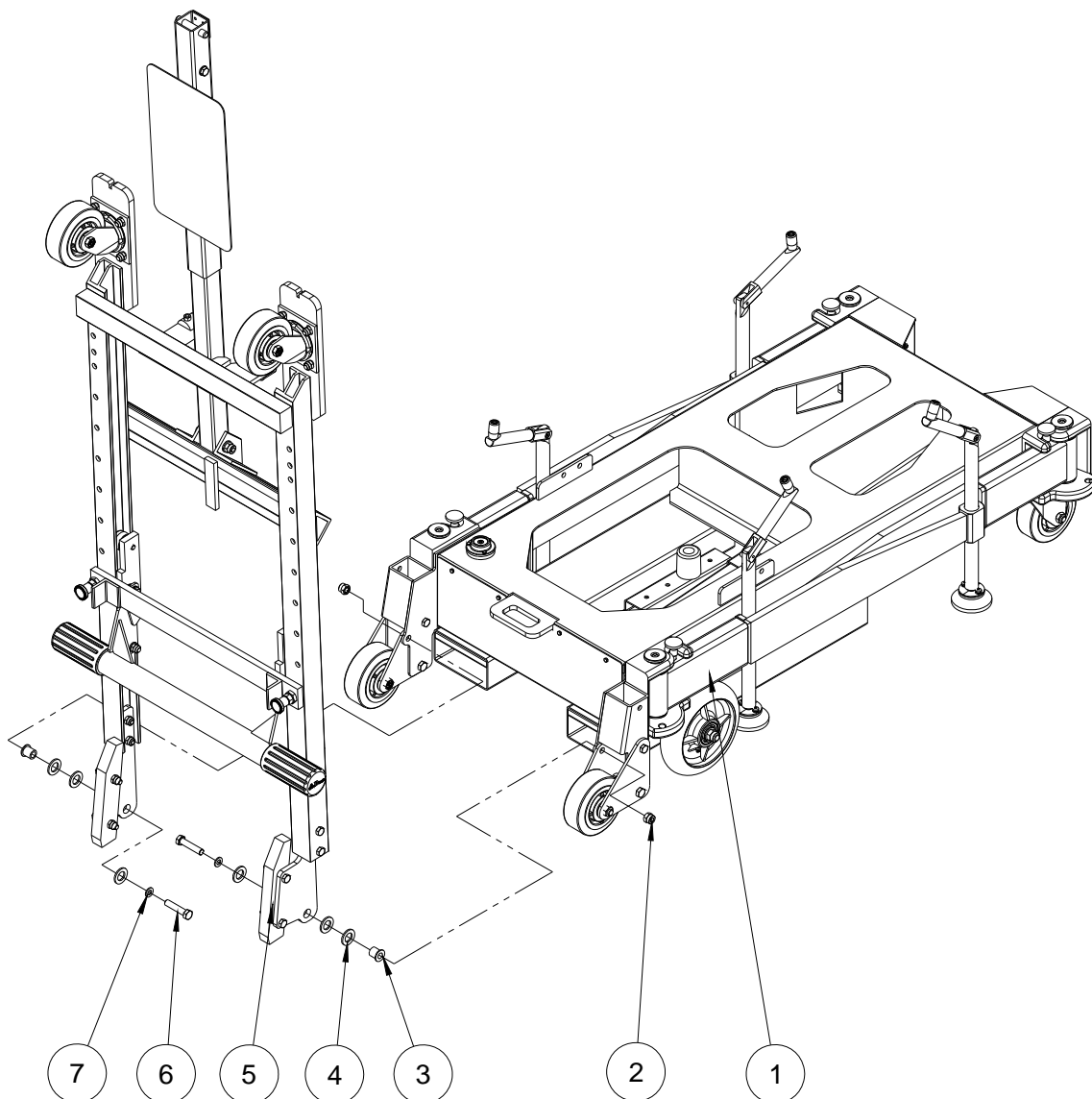




**Figure 1-6 Outrigger Assembly**

Item	Part Number	Description	Qty.	Remark
1	GTWY8-110302	Handle staff	1	
2	GB/T 819.1-2000	Screw M6x25-H	1	
3	GTWY8-110304	Pin	1	
4	GTWY8-110303	Rubber grip	1	
5	GTWY8-110301	Screw	1	
6	GB/T 818-2000	Screw M6x10-H	2	
7	GB/T 93-1987	Spring washer 6	2	
8	GB/T 97.1-2002	Washer 6	2	
9	GTWY8-110305	Footpad retainer	2	
10	GTWY8-110307	Footpad	1	
11	EGTWY10-117100	Left outrigger tube	1	EGTWY10-117000
	EGTWY10-117100a	Left outrigger tube	1	EGTWY10-117000a
	EGTWY10-118100	Right outrigger tube	1	EGTWY10-118000
	EGTWY10-118100a	Right outrigger tube	1	EGTWY10-118000a
	EGTWY12-117100	Left outrigger tube	1	EGTWY12-117000
	EGTWY12-117100a	Left outrigger tube	1	EGTWY12-117000a
	EGTWY12-118100	Right outrigger tube	1	EGTWY12-118000
	EGTWY12-118100a	Right outrigger tube	1	EGTWY12-118000a
12	GTWY8-110311	Pin	1	
13	GTWY8-110306	Washer	1	
14	GTWY8-110309	Staff	1	
15	GTWY8-110310	Spring	1	
16	GTWY8-110308	Handle	1	

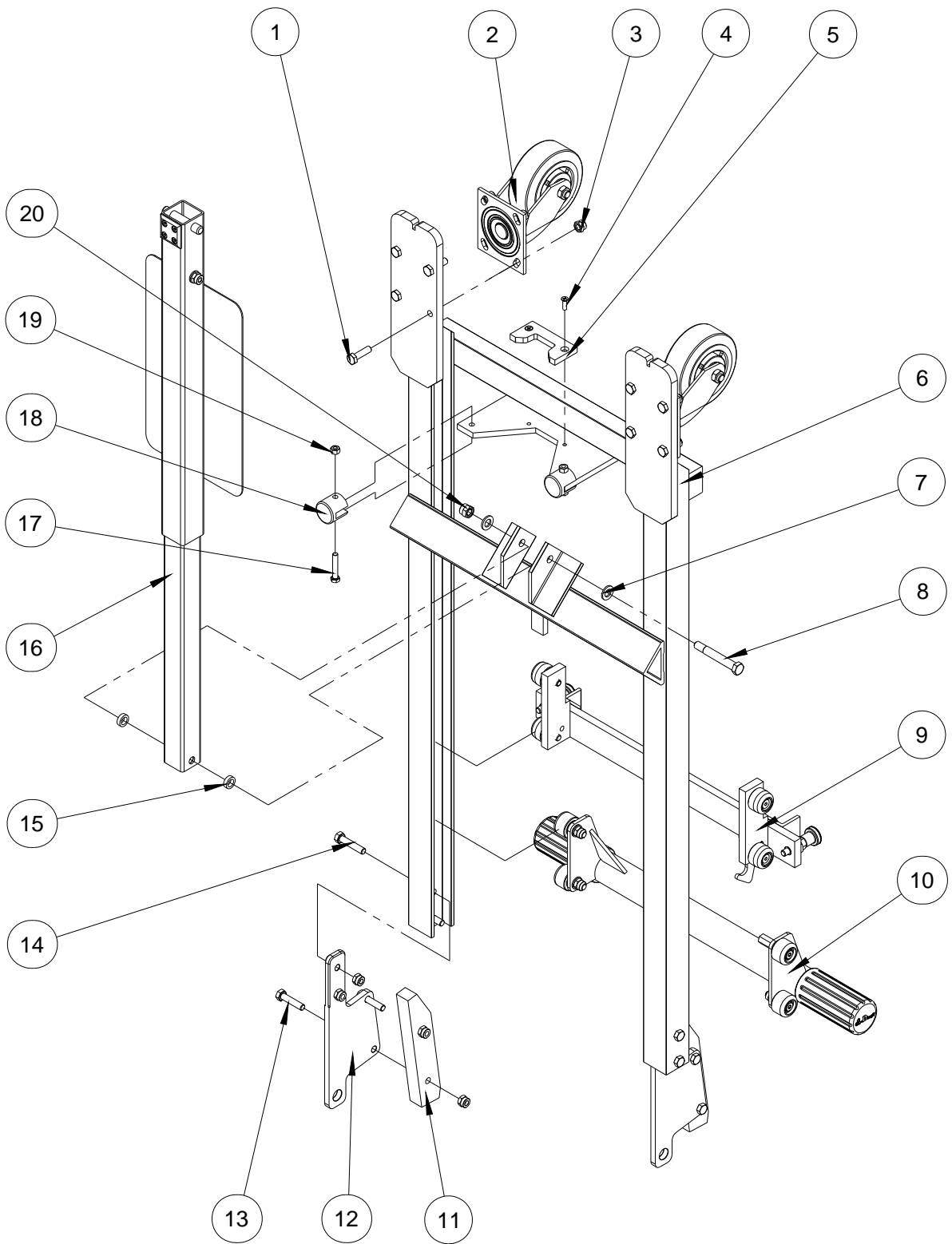
**Figure 1-7 Tilt-back Frame and Chassis Installation (GTWY14-1200)**



**Figure 1-7 Tilt-back Frame and Chassis Installation (GTWY14-1200)**

Item	Part Number	Description	Qty.	Remark
1	EGTWY12-110000	Chassis assembly (Refer to 1-2)	1	
2	GB/T 889.1-2000	Nut M12	2	
3	EGTWY12-180004	Bronze bushing	2	
4	GB/T 95-2002	Washer 18	6	
5	EGTWY12-180000	Tilt-back frame assembly (Refer to 1-8)	1	
6	GB/T 5783-2000	Bolt M12x50	2	
7	GB/T 97.1-2002	Washer 12	2	

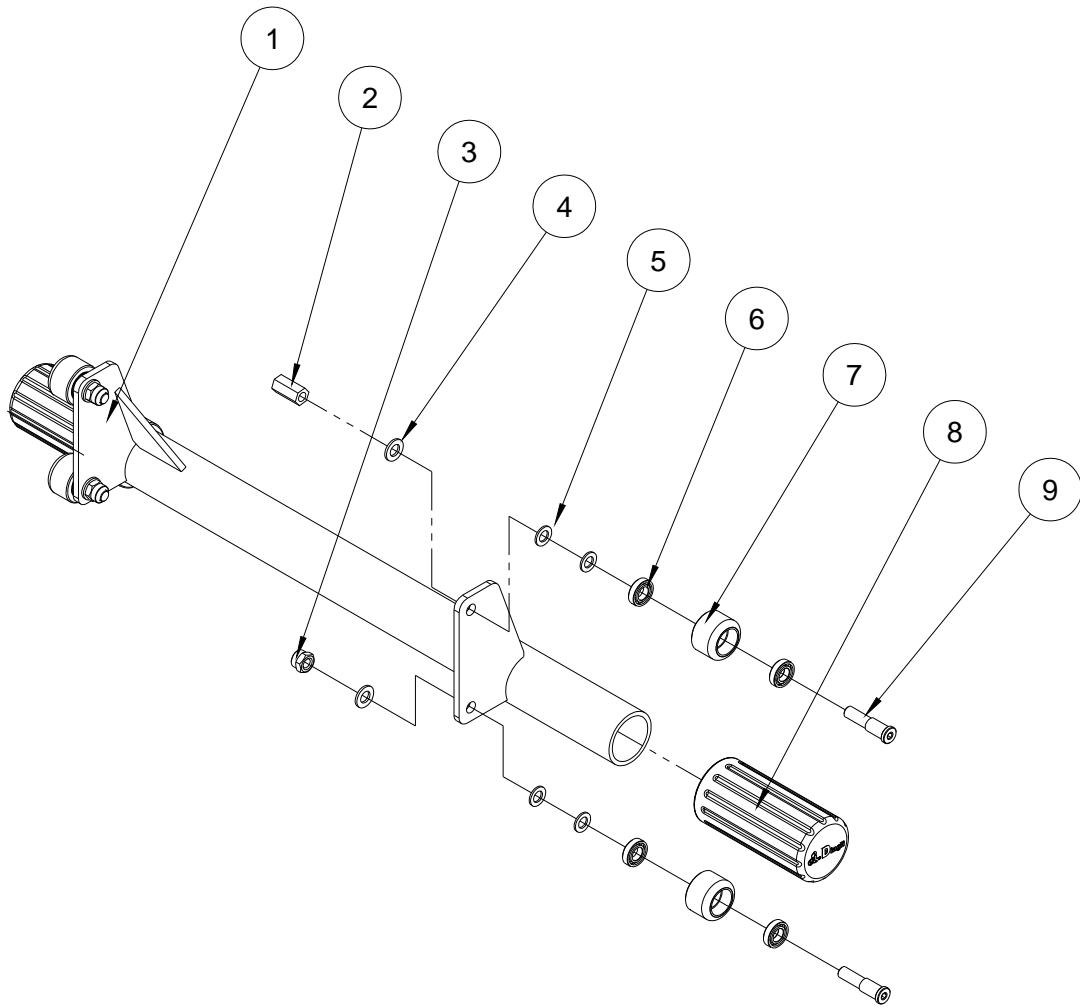
Figure 1-8 Tilt-back Frame Assembly (GTWY14-1200)



**Figure 1-8 Tilt-back Frame Assembly (GTWY14-1200)**

Item	Part Number	Description	Qty.	Remark
1	GB/T 5781-2000	Bolt M10x35	8	
2	EGTWY12-185000	Swivel caster	2	
3	GB/T 889.1-2000	Nut M10	16	
4	GB/T 819.1-2000	Screw M6x20-H	2	
5	EGTWY12-180005	Orientation adjustment	1	
6	EGTWY12-181000	Frame weldment	1	
7	GB/T 95-2002	Washer 12	2	
8	GB/T 27-1988	Bolt M12x90	1	
9	EGTWY12-184000	Orientation frame (Refer to 1-10)	1	
10	EGTWY12-182000	Glide frame assembly (Refer to 1-9)	1	
11	EGTWY10-110004	Glide block	2	
12	EGTWY12-182002	Tilt-back hinge plate	2	
13	GB/T 5782-2000	Bolt M10x45	4	
14	GB/T 5783-2000	Bolt M10x50	4	
15	EGTWY12-183004	Bushing	2	
16	EGTWY12-183000	Pivot stop weldment (Refer to 1-11)	1	
17	GB/T 5783-2000	Bolt M8x45	2	
18	EGTWY12-180001	Nylon mat	2	
19	GB/T 6170-2000	Nut M8	2	
20	GB/T 889.1-2000	Nut M12	1	

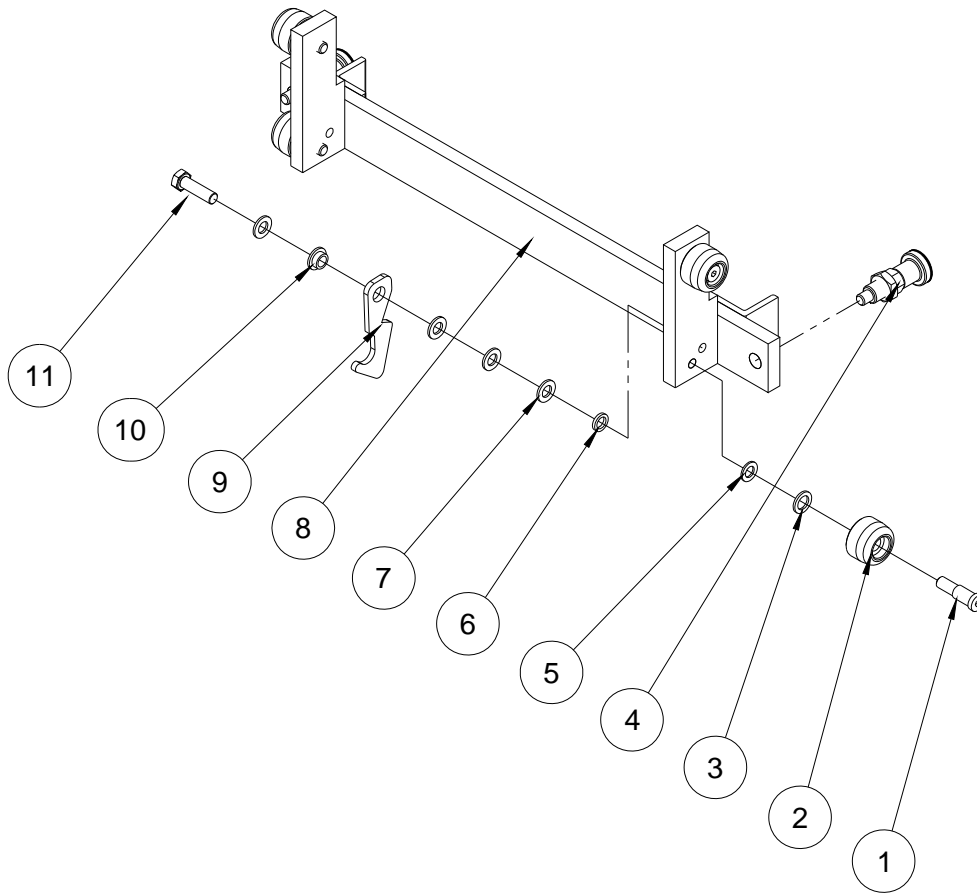
**Figure 1-9 Glide Frame Assembly (GTWY14-1200)**



**Figure 1-9 Glide Frame Assembly (GTWY14-1200)**

Item	Part Number	Description	Qty.	Remark
1	EGTWY12-182200	Glide frame weldment	1	
2	EGTWY10-120102	Coupler nut	1	
3	GB/T 889.1-2000	Nut M10	3	
4	GB/T 95-2002	Washer 10	4	
5	GB/T 848-1985	Washer 10	8	
6	GB/T 276-1994	Bearing 61901	8	
7	EGTWY10-121421	Wheel	4	
8	EGTWY10-121402	Rubber grip	2	
9	EGTWY10-121423	Roller bolt	4	

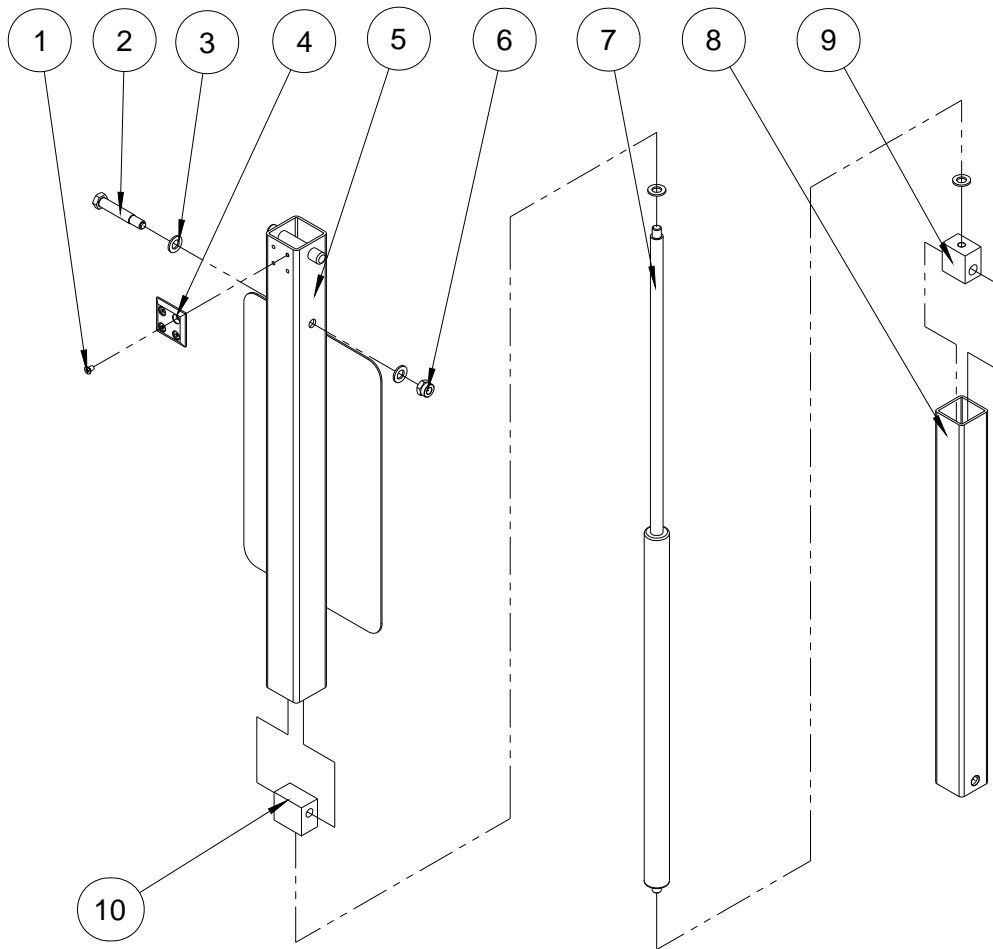
**Figure 1-10 Orientation Frame (GTWY14-1200)**



**Figure 1-10 Orientation Frame (GTWY14-1200)**

Item	Part Number	Description	Qty.	Remark
1	EGTWY10-121335	Roller bolt	4	
2	EGTWY10-121333	Wheel	4	
3	GB/T 848-1985	Washer 12	4	
4	GB/T 848-1985	Washer 10	4	
5	EGTWY10-112000	Lock pin	2	
6	GB/T 93-1987	Spring washer 10	1	
7	GB/T 95-2002	Washer 10	4	
8	EGTWY12-184100	Orientation frame	1	
9	EGTWY10-121301	Pivot retainer hook	1	
10	EGTWY10-121303	Flange bushing	1	
11	GB/T 5783-2000	Bolt M10x35	1	

**Figure 1-11 Support Frame (GTWY14-1200)**



**Figure 1-11 Support Frame (GTWY14-1200)**

Item	Part Number	Description	Qty.	Remark
1	GB/T 819.2-1997	Screw M5x8-H1	4	
2	GB/T 27-1988	Bolt M10x65	1	
3	GB/T 95-2002	Washer 10	4	
4	EGTWY12-183005	Glide block	1	
5	EGTWY12-183100	Upper tube	1	
6	GB/T 889.1-2000	Nut M10	1	
7	EGTWY12-183200	Gas pole annul	1	
8	EGTWY12-183002	Lower tube	1	
9	EGTWY12-183003	Shock mount block, lower	1	
10	EGTWY12-183001	Shock mount block, upper	1	

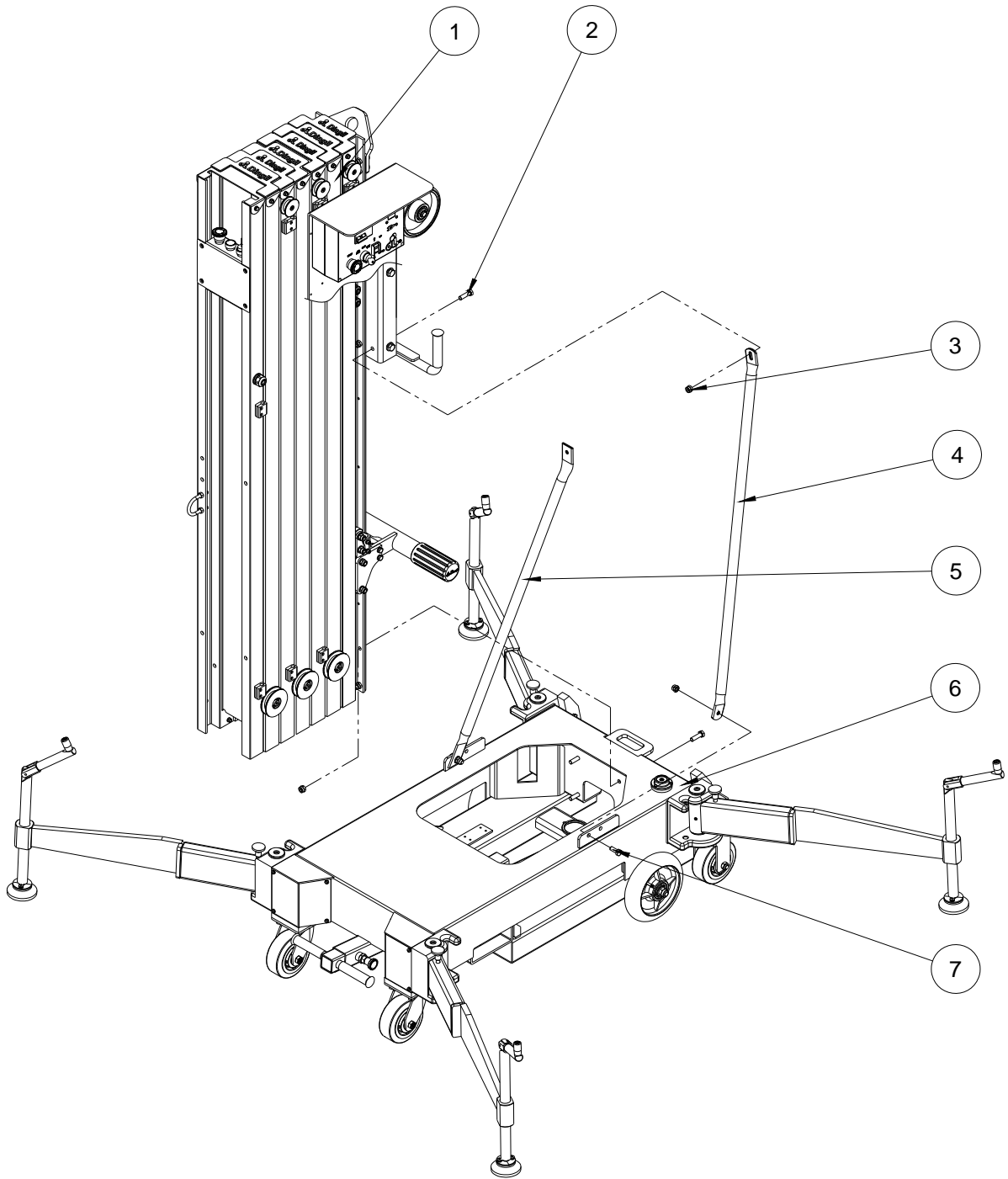




# Mast

## Section 2

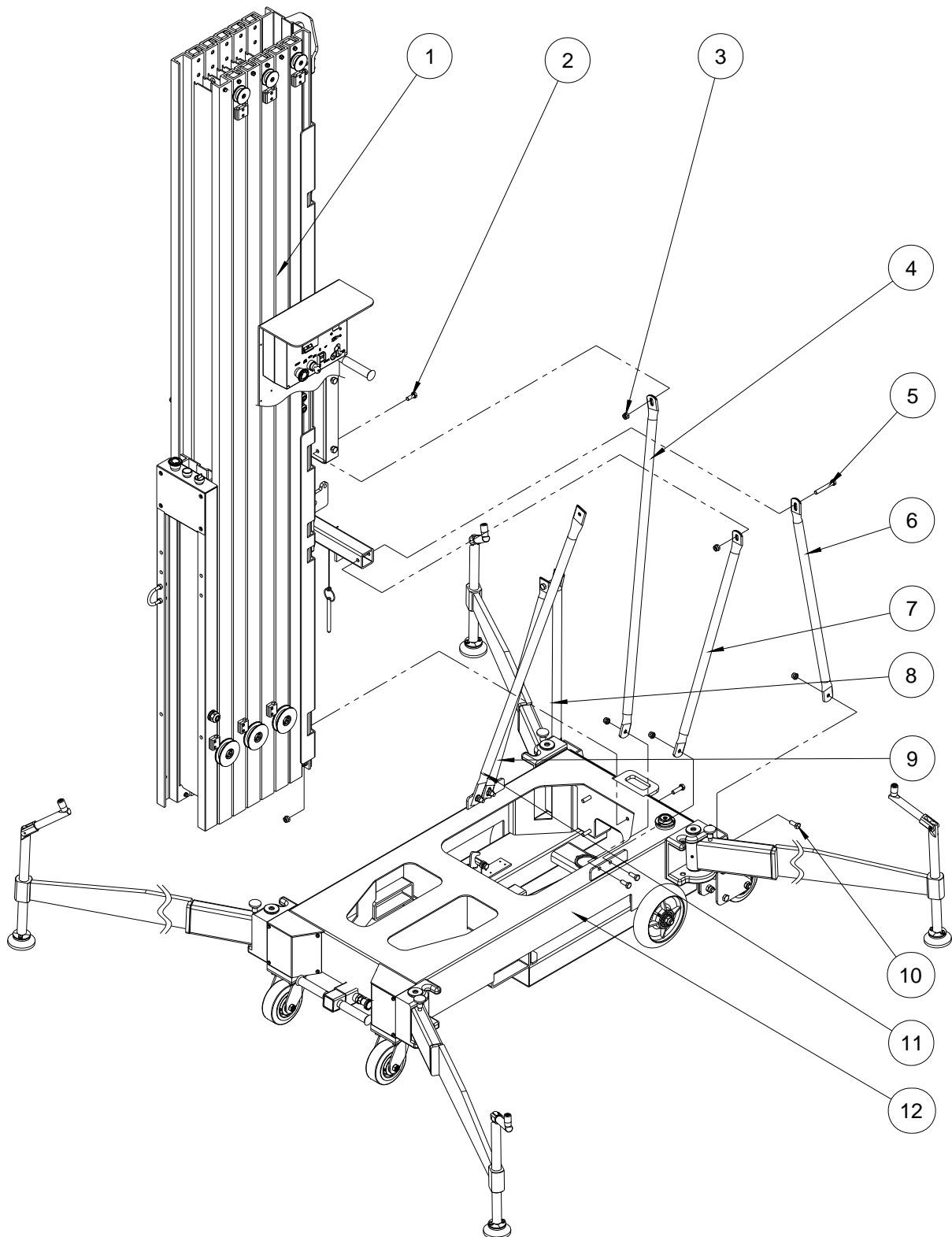
Figure 2-1 Mast and Chassis Installation (GTWY8/10/12-1200)



**Figure 2-1 Mast and Chassis Installation (GTWY8/10/12-1200)**

Item	Part Number	Description	Qty.	Remark
1	EGTWY6-120000	Mast and accessory assembly (Refer to 2-3)	1	GTWY8-1200
	EGTWY8-120000		1	GTWY10-1200
	EGTWY10-120000		1	GTWY12-1200
2	GB/T 5783-2000	Bolt M10x35	6	
3	GB/T 889.1-2000	Nut M10	8	
4	EGTWY10-100011	Stay bar	1	
5	EGTWY10-100011a	Stay bar	1	
6	EGTWY10-110000	Chassis assembly (Refer to 1-1)	1	
7	GB/T 5783-2000	Bolt M10x25	2	

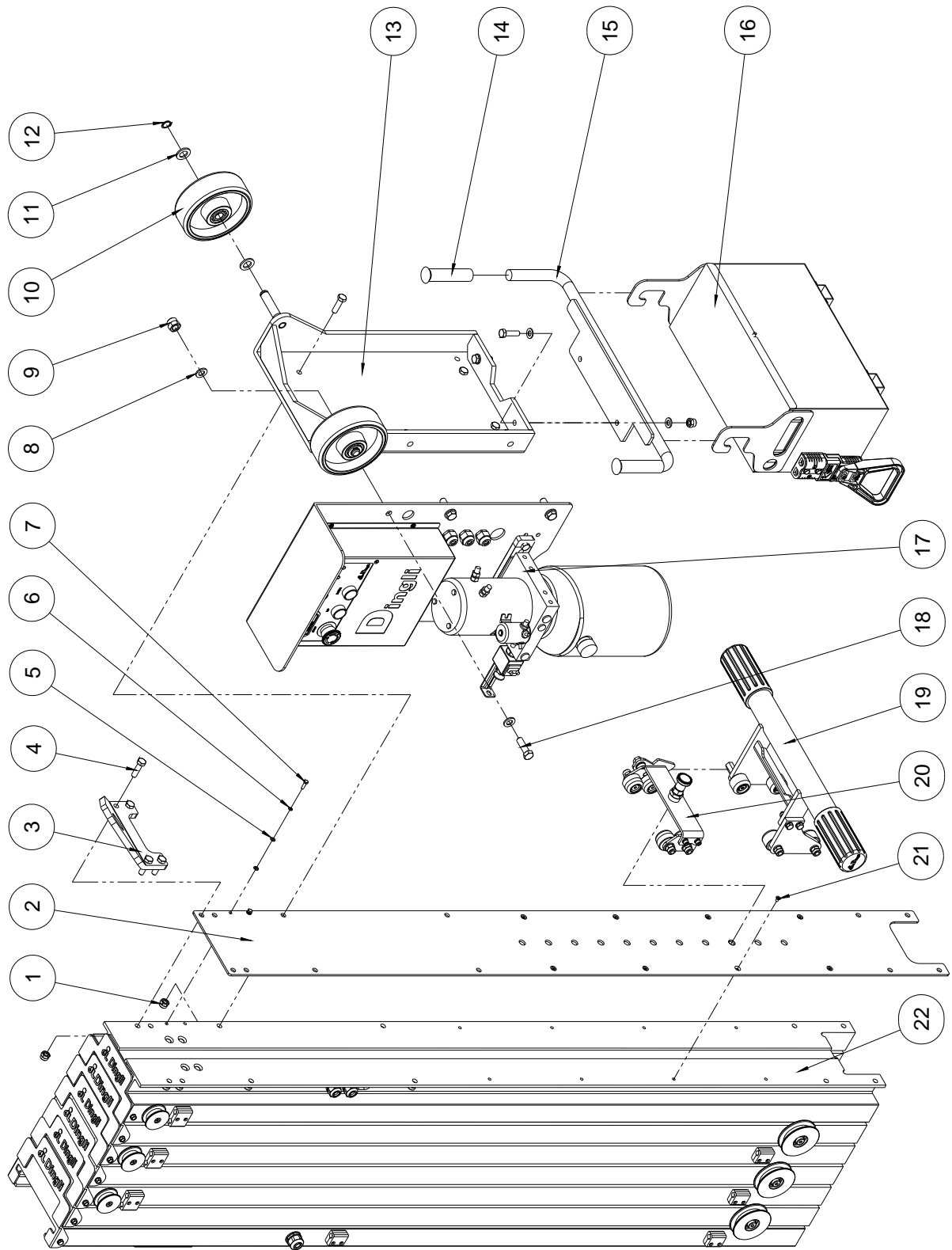
Figure 2-2 Mast and Chassis Installation (GTWY14-1200)



**Figure 2-2 Mast and Chassis Installation (GTWY14-1200)**

Item	Part Number	Description	Qty.	Remark
1	EGTWY12-120000	Mast and accessory assembly (Refer to 2-14)	1	
2	GB/T 5783-2000	Bolt M10×35	6	
3	GB/T 889.1-2000	Nut M10	14	
4	EGTWY12-100011a	Stay bar 1	1	
5	GB/T 5783-2000	Bolt M10×70	2	
6	EGTWY12-100013	Stay bar 3	1	
7	EGTWY12-100012a	Stay bar 2	1	
8	EGTWY12-100013a	Stay bar 3	1	
9	EGTWY12-100012	Stay bar 2	1	
10	GB/T 5783-2000	Bolt M10×25	6	
11	EGTWY12-100011	Stay bar 1	1	
12	EGTWY12-110000	Chassis assembly (Refer to 1-2)	1	

Figure 2-3 Mast and Accessory Assembly (GTWY8/10/12-1200)



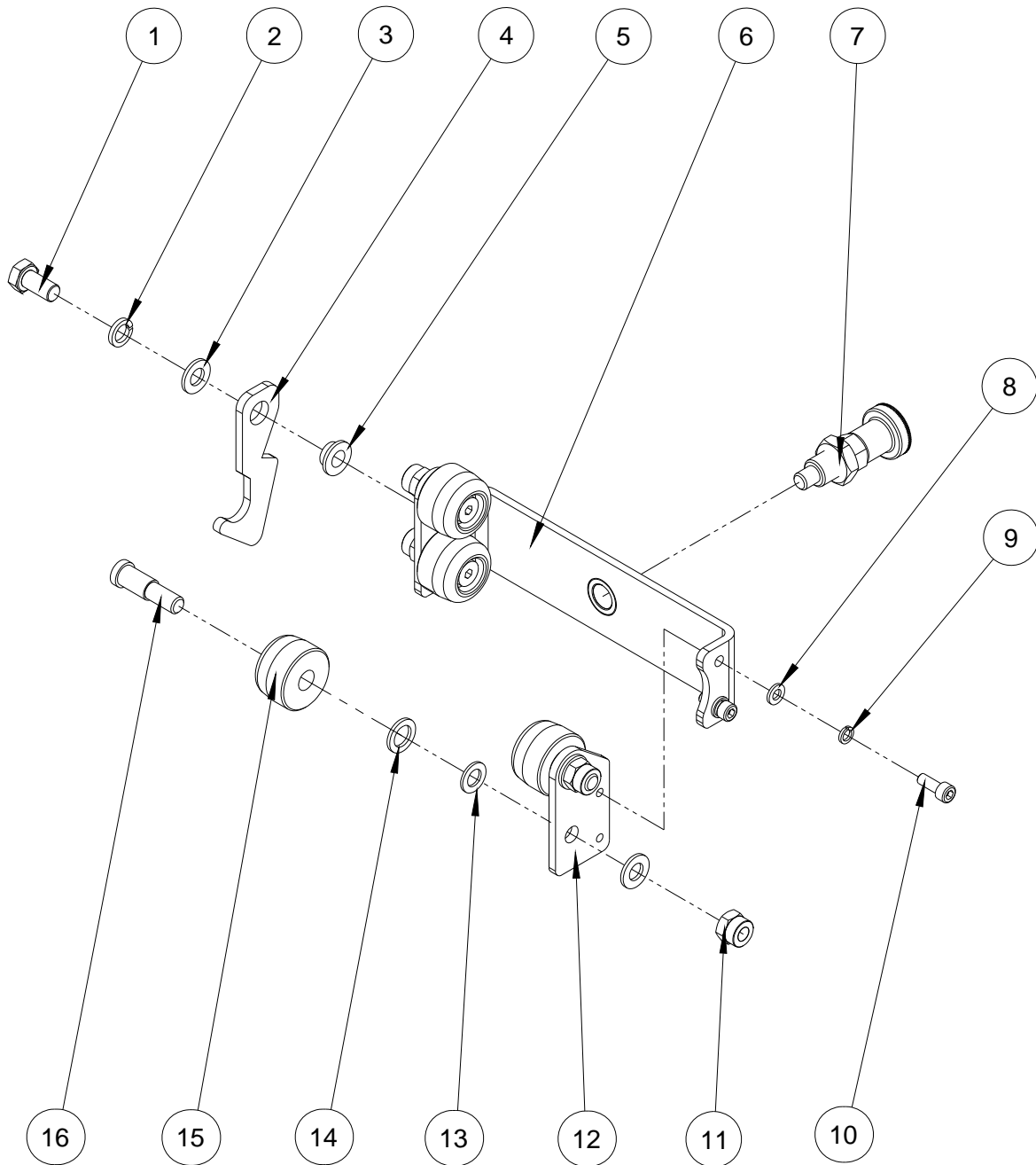
**Figure 2-3 Mast and Accessory Assembly (GTWY8/10/12-1200)**

Item	Part Number	Description	Qty.	Remark
1	GB/T 889.1-2000	Nut M10	10	
2	EGTWY10-121001	Plate	1	
3	EGTWY10-121002	Lifting eye plate	1	
4	GB/T 5783-2000	Bolt M10x35	10	
5	GB/T 95-2002	Washer 5	4	
6	GB/T 93-1987	Spring washer 5	2	
7	GB/T 5783-2000	Bolt M5x16	2	
8	GB/T 97.1-2002	Washer 12	6	
9	GB/T 6182-2000	Nut M12	3	
10	EGTWY10-121120	Rear wheel	2	
11	GB/T 95-2002	Washer 16	4	
12	GB/T 894.1-1986	Circlips for shaft 17	2	
13	EGTWY10-121110	Mounting plate bracket weldment	1	
14	EGTWY8-810002	Rubber grip	2	
15	EGTWY10-121200	Handle	1	
16	EGTWY10D-170000	Battery box assembly 1 (Refer to 2-12)	1	DC Model
	EGTWY10-620100	Battery box assembly 2 (Refer to 2-13)	1	
17	EGTWY10D-121500	Pumping station assembly 1 (Refer to 2-6)	1	DC Model
	EGTWY10D-121600	Pumping station assembly 2 (Refer to 2-8)	1	
	EGTWY10A-121500	Pumping station assembly 1 (Refer to 2-9)	1	AC Model
	EGTWY10A-121600	Pumping station assembly 2 (Refer to 2-11)	1	
18	GB/T 5783-2000	Bolt M12x40	3	
19	EGTWY10-121400	Pivot support assembly (Refer to 2-5)	1	
20	EGTWY10-121300	Orientation assembly (Refer to 2-4)	1	
21	GB/T 819.1-2000	Screw M6x10-H	8	

**Figure 2-3 Mast and Accessory Assembly (GTWY8/10/12-1200)**

Item	Part Number	Description	Qty.	Remark
22	EGTWY6-122000	Mast assembly (Refer to 2-15)	1	GTWY8-1200
	EGTWY8-122000	Mast assembly (Refer to 2-16)	1	GTWY10-1200
	EGTWY10-122000	Mast assembly (Refer to 2-17)	1	GTWY12-1200

Figure 2-4 Orientation Assembly (GTWY8/10/12-1200)

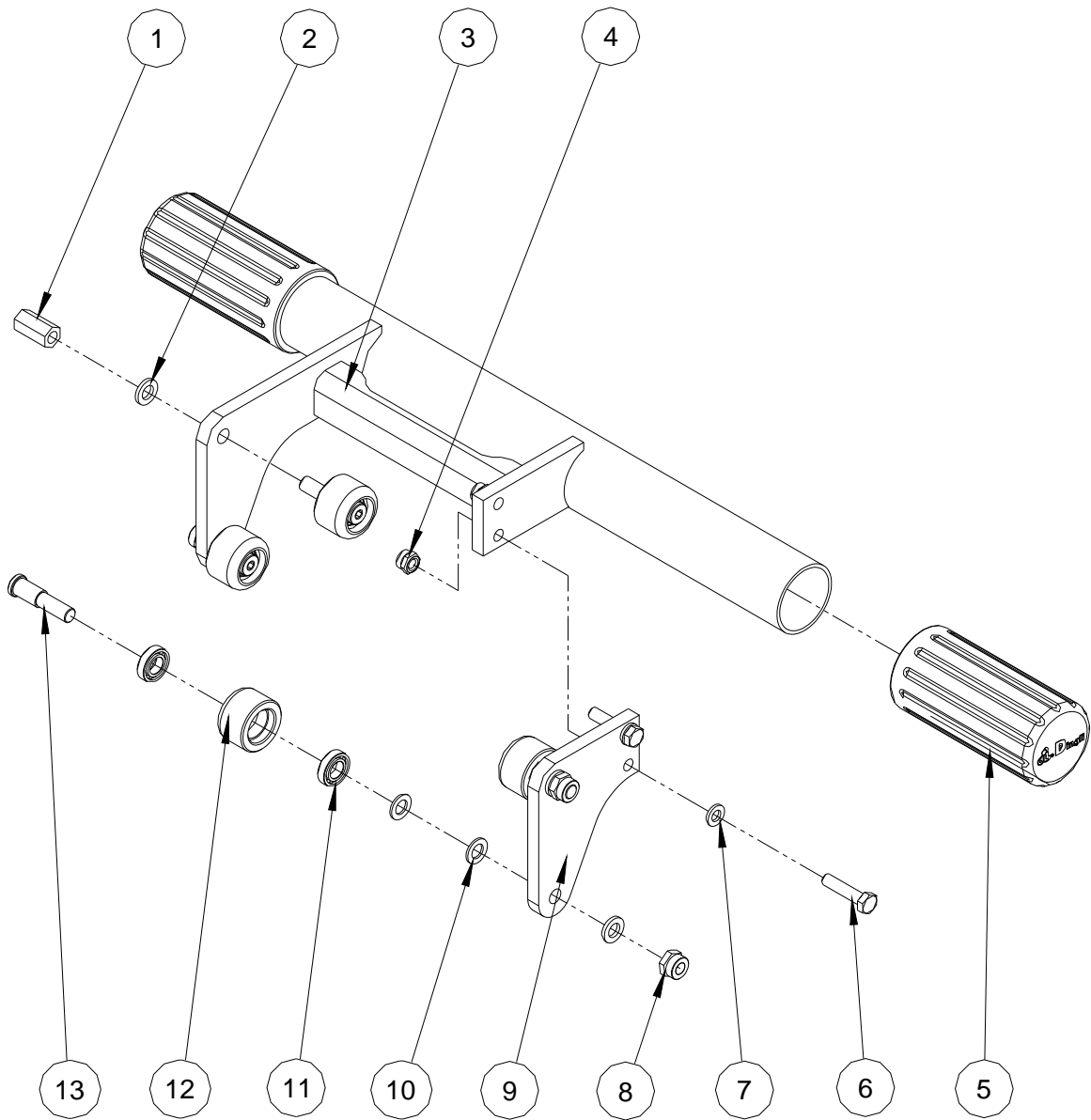




**Figure 2-4 Orientation Assembly (GTWY8/10/12-1200)**

Item	Part Number	Description	Qty.	Remark
1	GB/T 5783-2000	Bolt M10x20	1	
2	GB/T 93-1987	Spring washer 10	1	
3	GB/T 97.1-2002	Washer 10	5	
4	EGTWY10-121301	Flange	1	
5	EGTWY10-121303	Flange bushing	1	
6	EGTWY10-121310	Orientation frame	1	
7	EGTWY10-112000	Lock pin	1	
8	GB/T 97.1-2002	Washer 6	2	
9	GB/T 93-1987	Spring washer 6	2	
10	GB/T 70.1-2000	Screw M6x16	2	
11	GB/T 6182-2000	Nut M10	4	
12	EGTWY10-121302	Side plate	1	
13	GB/T 848-1985	Washer 10	4	
14	GB/T 848-1985	Washer 12	4	
15	EGTWY10-121333	Wheel	4	
16	EGTWY10-121335	Roller bolt	4	

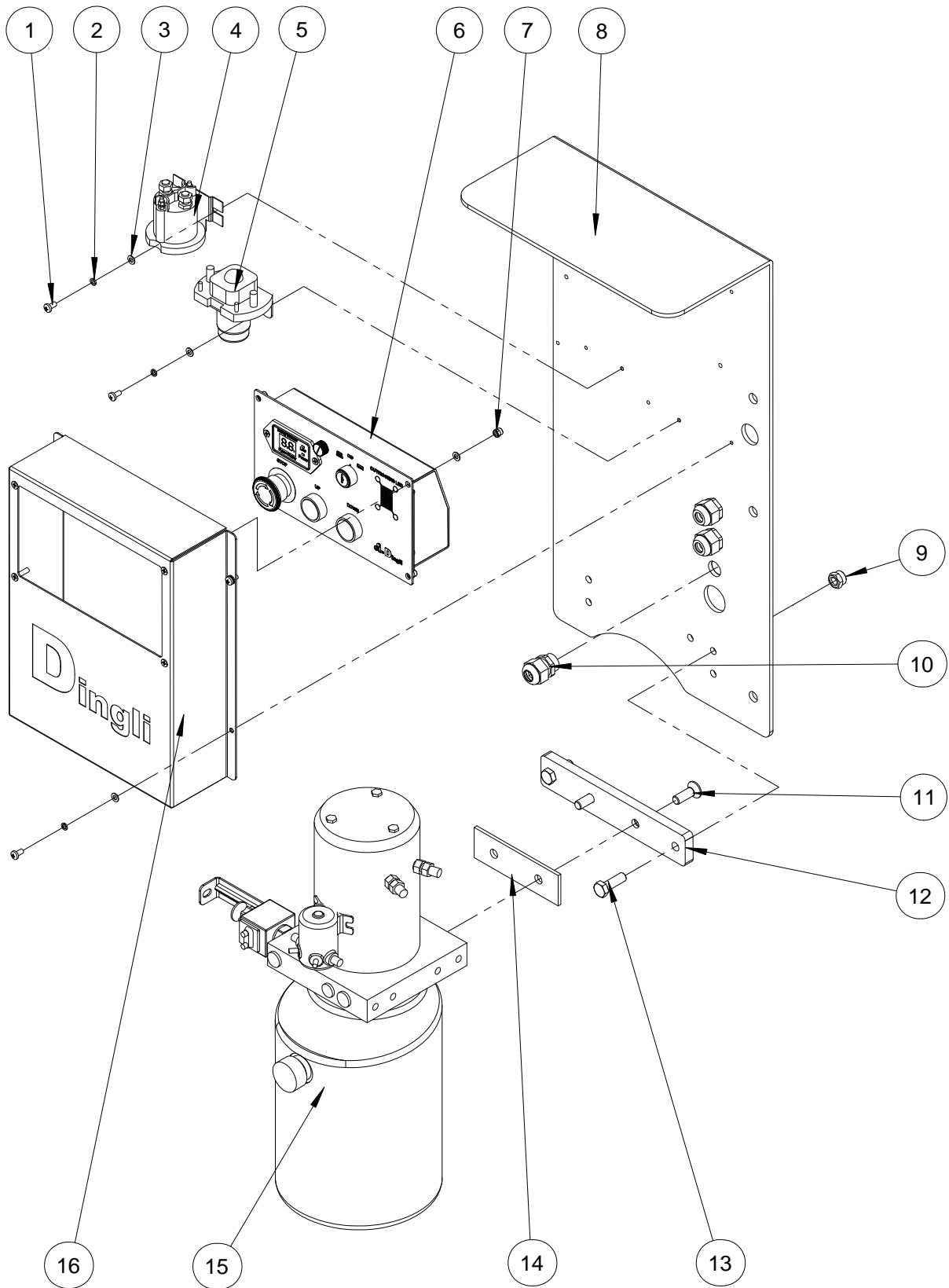
Figure 2-5 Pivot Support Assembly (GTWY8/10/12-1200)



**Figure 2-5 Pivot Support Assembly (GTWY8/10/12-1200)**

Item	Part Number	Description	Qty.	Remark
1	EGTWY10-120102	Coupler nut	1	
2	GB/T 97.3-2000	Washer 10	4	
3	EGTWY10-121410	Pivot support weldment	1	
4	GB/T 889.1-2000	Nut M8	2	
5	EGTWY10-121402	Rubber grip	2	
6	GB/T 5783-2000	Bolt M8x35	2	
7	GB/T 97.3-2000	Washer 8	2	
8	GB/T 889.1-2000	Nut M10	3	
9	EGTWY10-121401	Pivot connecting plate	1	
10	GB/T 848-1985	Washer 10	8	
11	GB/T 276-1994	Bearing 61901	8	
12	EGTWY10-121421	Wheel	4	
13	EGTWY10-121423	Roller bolt	4	

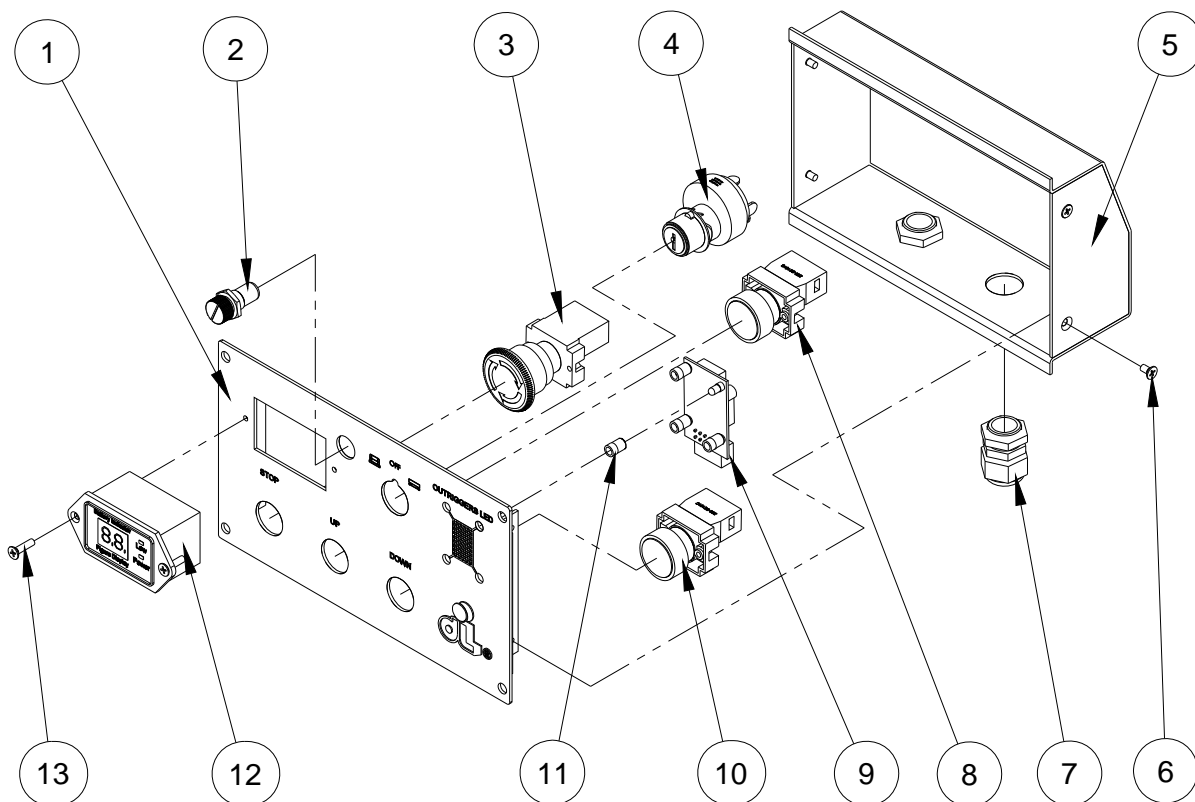
**Figure 2-6 Pumping Station Assembly 1 (DC Model)**



**Figure 2-6 Pumping Station Assembly 1 (DC Model)**

Item	Part Number	Description	Qty.	Remark
1	GB/T 818-2000	Screw M15×10-H	8	
2	GB/T 93-1987	Spring washer 5	8	
3	GB/T 97.1-2002	Washer 5	12	
4	6906-0302200-02	DC contactor	1	
5	6906-0302200-01	DC contactor	1	
6	GTWY10-1000-711000	Ground control box assembly (Refer to 2-7)	1	
7	GB/T 6182-2000	Nut M5	4	
8	EGTWY10-121501	Pumping station mount plate	1	
9	GB/T 889.1-2000	Nut M10	2	
10	6912-0200020-01	Water-proof joint M20×1.5	3	
11	GB/T 70.3-2000	Screw M10×30	2	
12	EGTWY10D-121502	Pumping station mat	1	
13	GB/T 5783-2000	Bolt M10×20	2	
14	EGTWY10D-121503	Pumping station rubber mat	1	
15	5807-1151050-01	Hydraulic power union	1	
16	EGTWY10-121510	Cover weldment	1	

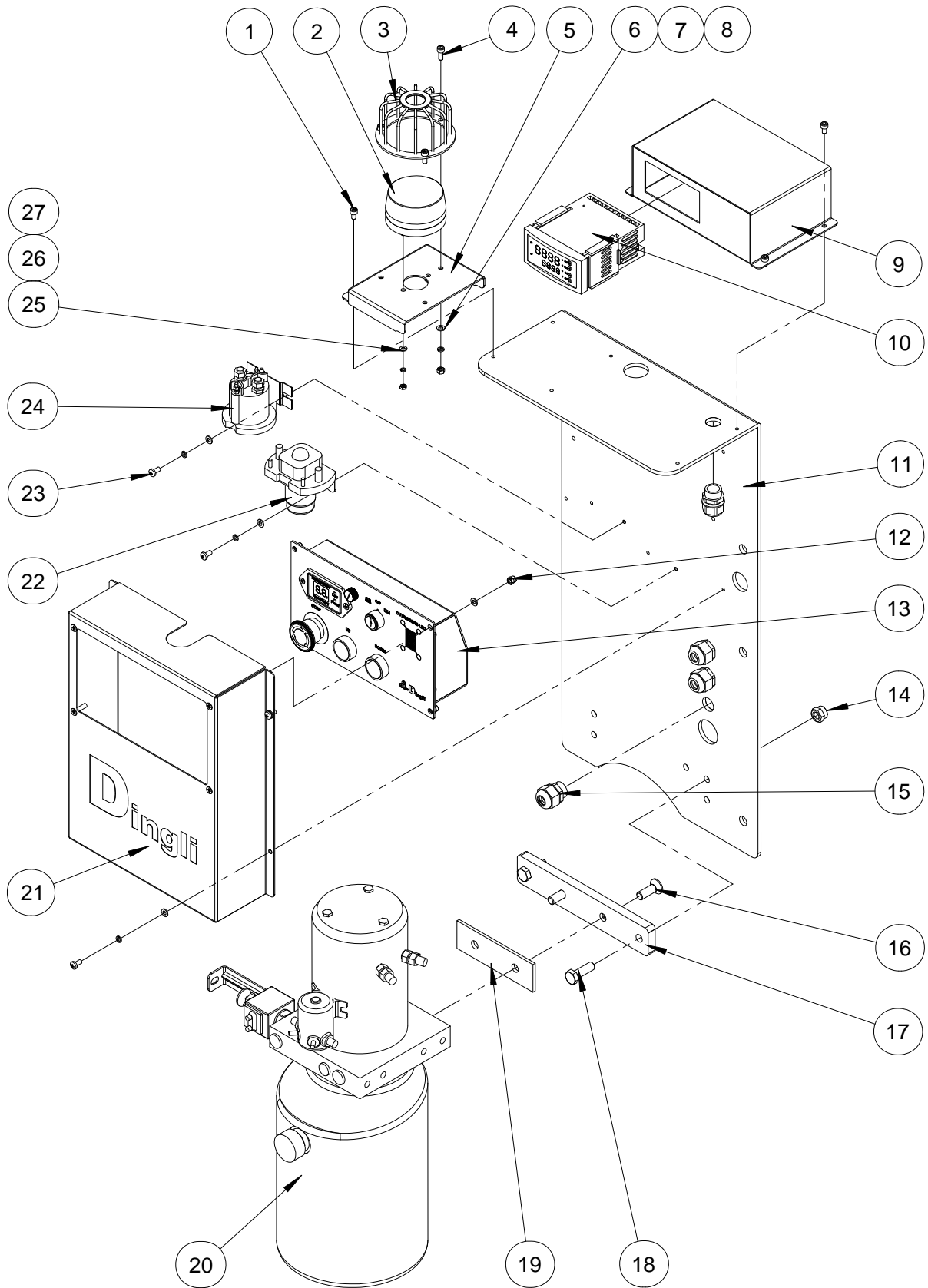
**Figure 2-7 Ground Control Box Assembly (DC Model)**



**Figure 2-7 Ground Control Box Assembly (DC Model)**

Item	Part Number	Description	Qty.	Remark
1	GTWY10-1000-711121	Lid of control box	1	
2	6906-8010006-01	Fuse 6A assembly	1	
3	6909-0501140-01	Emergency stop switch	1	
4	6909-0400032-01	Key switch	1	
5	GTWY10-1000-711111	Housing of control box	1	
6	GB/T 819.1-2000	Screw M4x6-H	4	
7	6912-0200020-01	Water-proof joint M20x1.5	2	
8	6909-0201113-01	Button (Green)	1	
9	6904-5090003-02	Outrigger control module	1	
10	6909-0201114-01	Button (Red)	1	
11	6999-0200001-01	LED cover	4	
12	6908-0600202-01	Battery indicator	1	
13	GB/T 819.1-2000	Screw M4x16-H	2	

Figure 2-8 Pumping Station Assembly 2 (DC Model)

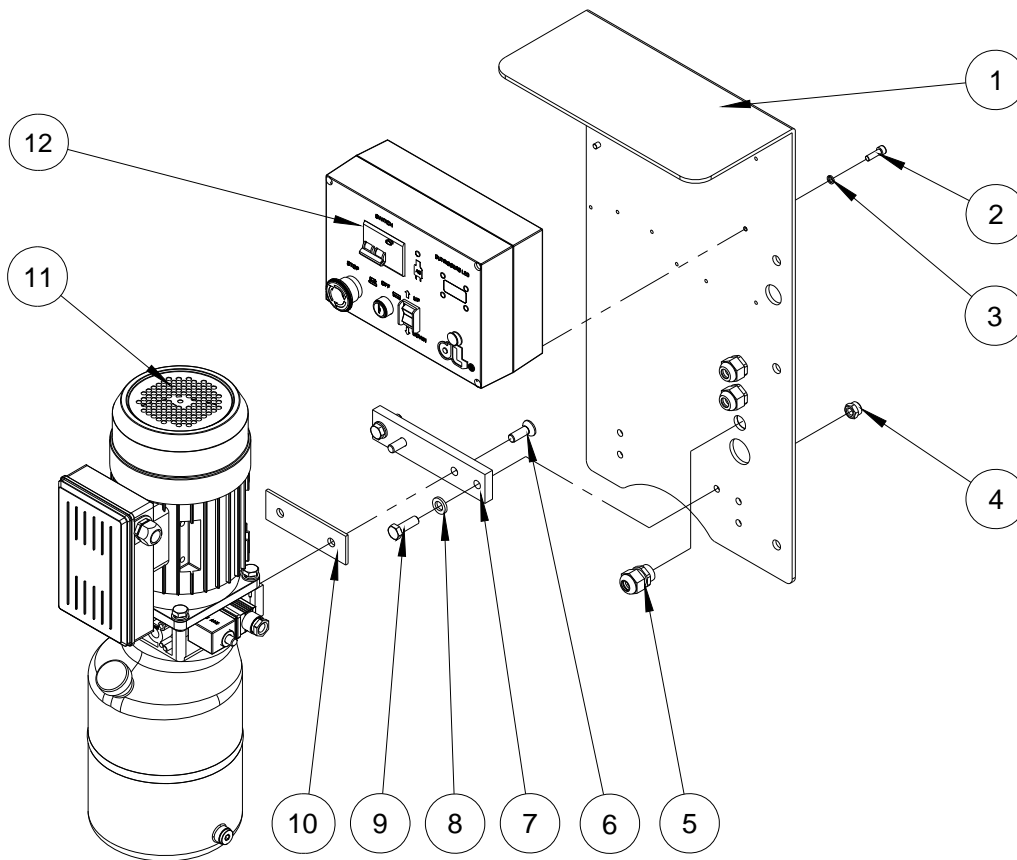


**Figure 2-8 Pumping Station Assembly 2 (DC Model)**

Item	Part Number	Description	Qty.	Remark
1	GB/T 70.1-2000	Screw M5x8	6	
2	6914-0200021-01	Beacon	1	
3	EGTWY10-121504AU	Lamp-chimney	1	
4	GB/T 70.1-2000	Screw M5x12	3	
5	EGTWY10-121506AU	Beacon seat	1	
6	GB/T 97.1-2002	Washer 5	15	
7	GB/T 93-1987	Spring washer 5	11	
8	GB/T 6170-2000	Nut M5	3	
9	EGTWY10-121520AU	Cover weldment	1	
10	6908-0200217-01	Piezometer	1	
11	EGTWY10-121501AU	Pumping station mount plate	1	
12	GB/T 6182-2000	Nut M5	4	
13	GTWY10-1000-711000	Ground control box assembly (Refer to 2-7)	1	
14	GB/T 889.1-2000	Nut M10	2	
15	6912-0200020-01	Water-proof joint M20x1.5	4	
16	GB/T 70.3-2000	Screw M10x30	2	
17	EGTWY10D-121502	Pumping station mat	1	
18	GB/T 5783-2000	Bolt M10x30	2	
19	EGTWY10D-121503	Pumping station rubber mat	1	
20	5807-1151050-01	Hydraulic power union	1	
21	EGTWY10-121510AU	Cover weldment	1	
22	6906-0302200-01	DC contactor	1	
23	GB/T 818-2000	Screw M15x10-H	8	
24	6906-0302200-02	DC contactor	1	
25	GB/T 6170-2000	Nut M4	2	
26	GB/T 93-1987	Spring washer 4	2	
27	GB/T 97.1-2002	Washer 4	2	



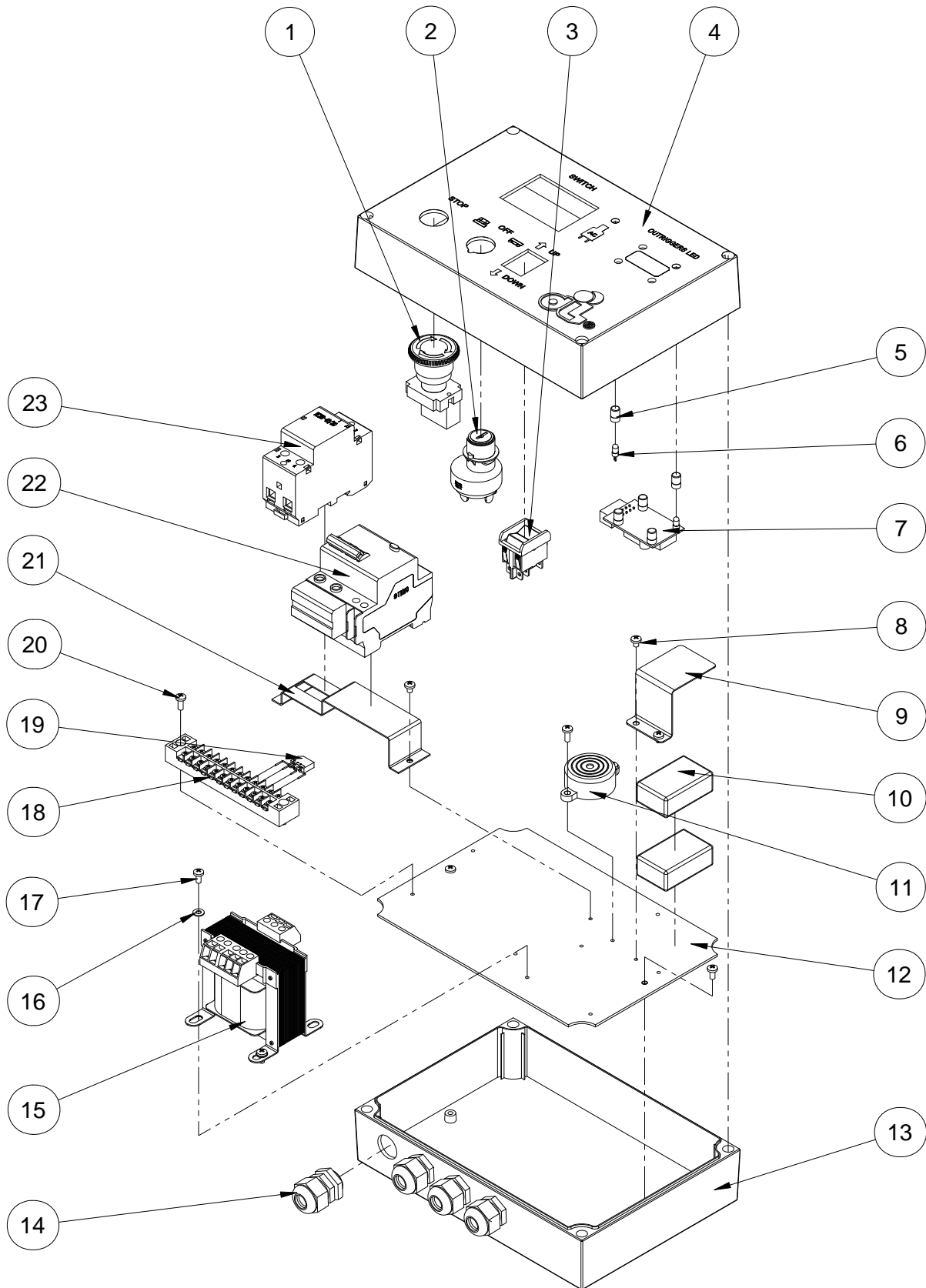
**Figure 2-9 Pumping Station Assembly 1 (AC Model)**



**Figure 2-9 Pumping Station Assembly 1 (AC Model)**

Item	Part Number	Description	Qty.	Remark
1	EGTWY10-121501	Pumping station mount plate	1	
2	GB/T 70.1-2000	Screw M6x20	4	
3	GB/T 93-1987	Spring washer 6	4	
4	GB/T 889.1-2000	Nut M10	2	
5	6912-0200020-01	Water-proof joint M20x1.5	3	
6	GB/T 70.3-2000	Screw M10x30	2	
7	EGTWY10A-121502	Pumping station mat	1	
8	GB/T 97.1-2002	Washer 10	2	
9	GB/T 5783-2000	Bolt M10x30	2	
10	EGTWY10A-121503	Pumping station rubber mat	1	
11	5807-6152540-01	Hydraulic power union	1	
12	EGTWY10AC-161000	Ground control box assembly (Refer to 2-10)	1	

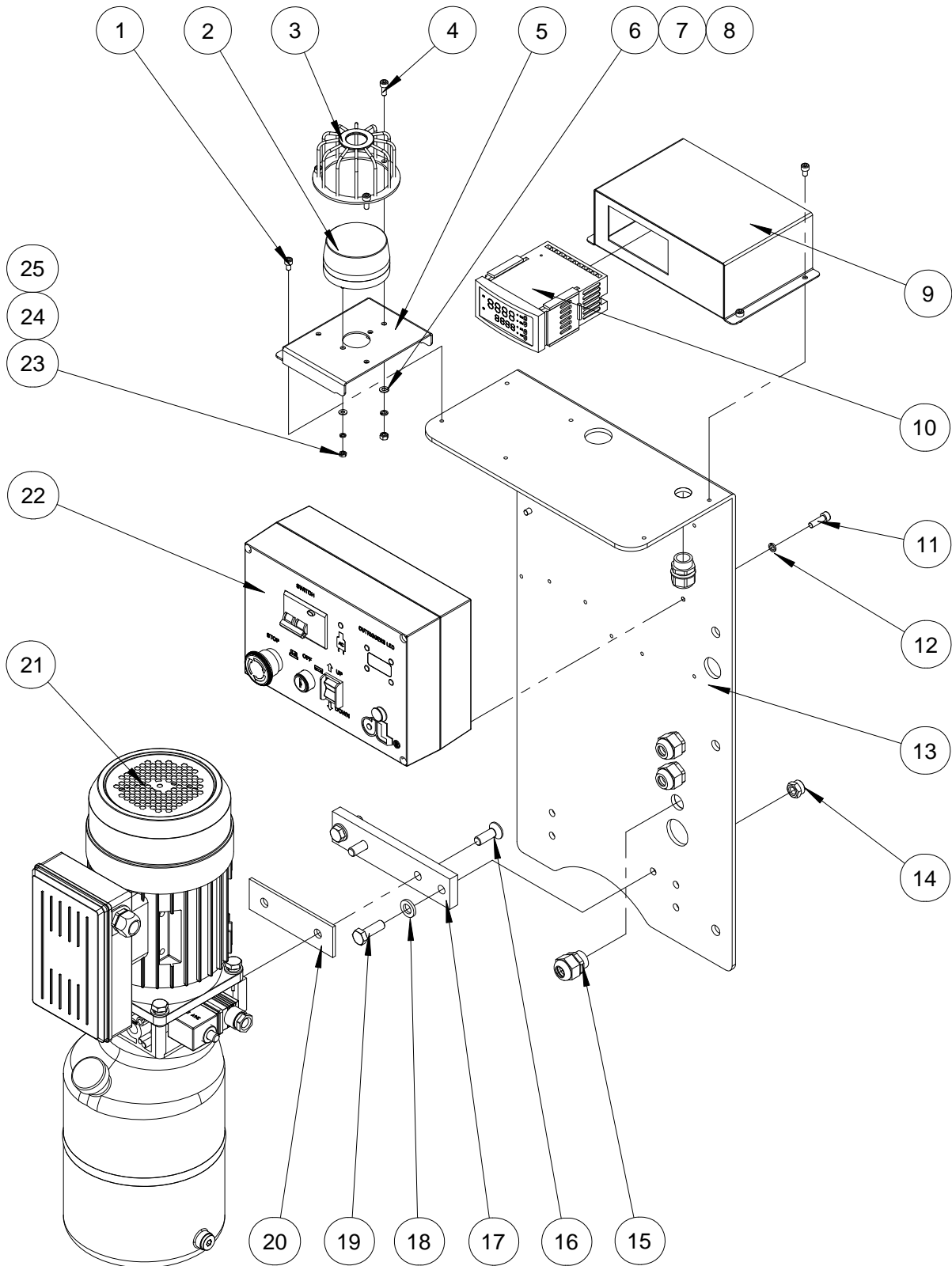
Figure 2-10 Ground Control Box Assembly (AC Model)



**Figure 2-10 Ground Control Box Assembly (AC Model)**

Item	Part Number	Description	Qty.	Remark
1	6909-0501140-01	Emergency stop switch	1	
2	6909-0400032-01	Key switch	1	
3	6909-0932500-01	Rocker switch	1	
4	EGTWY10AC-161201	Lid of control box	1	
5	6914-0300544-01	LED (AC)	1	
6	6999-0200001-01	LED cover	5	
7	6904-5090003-01	Outrigger control module	1	
8	GB/T 818-2000	Screw M4x5-H	4	
9	EGTWY10AC-161113	Plate	1	Option
10	6901-0421201-01	Lithium battery	2	Option
11	6915-0103000-03	Buzzer	1	
12	EGTWY10AC-161111	Control box plate	1	
13	EGTWY10AC-161101	Housing of control box	1	
14	6912-0200020-01	Water-proof joint M20x1.5	4	
15	6906-2003312-01	Transformer	1	
16	GB/T 97.1-2002	Washer 4	3	
17	GB/T 818-2000	Screw M4x8-H	5	
18	6912-0111512-01	Terminal board	1	
19	6907-0300307-01	Bridge rectifiers	1	
20	GB/T 818-2000	Screw M4x10-H	4	
21	EGTWY10AC-161112	Breaker plate	1	
22	6906-5020161-01	Circuit breaker 16A	1	
23	6906-0313040-01	AC contactor	1	

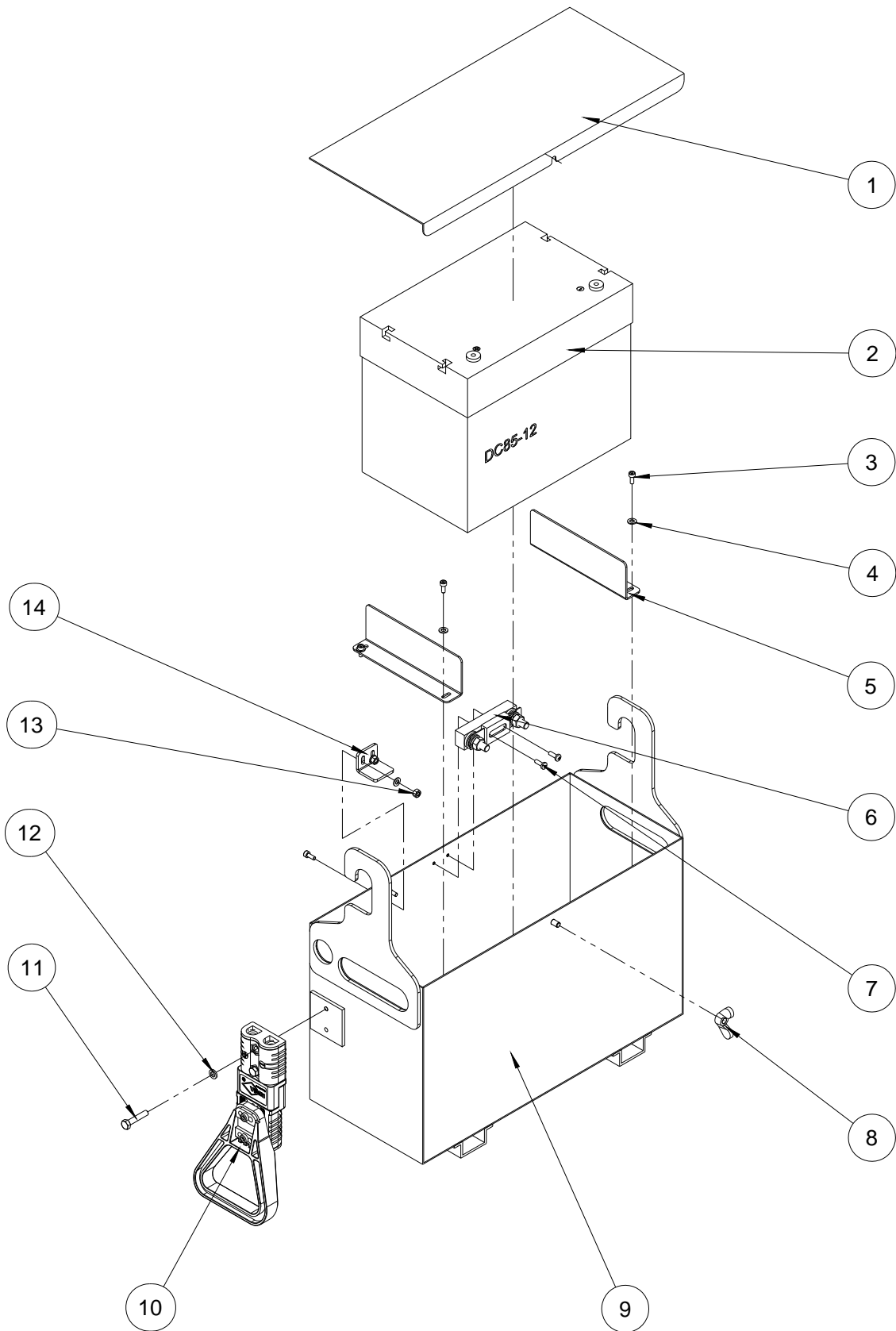
Figure 2-11 Pumping Station Assembly 2 (AC Model)



**Figure 2-11 Pumping Station Assembly 2 (AC Model)**

Item	Part Number	Description	Qty.	Remark
1	GB/T 70.1-2000	Screw M5x8	6	
2	6914-0200021-01	Beacon	1	
3	EGTWY10-121504AU	Lamp-chimney	1	
4	GB/T 70.1-2000	Screw M5x12	3	
5	EGTWY10-121506AU	Beacon seat	1	
6	GB/T 97.1-2002	Washer 5	12	
7	GB/T 93-1987	Spring washer 5	8	
8	GB/T 6170-2000	Nut M5	3	
9	EGTWY10-121520AU	Cover weldment	1	
10	6908-0200217-01	Piezometer	1	
11	GB/T 70.1-2000	Screw M6x20	4	
12	GB/T 93-1987	Spring washer 6	4	
13	EGTWY10-121501AU	Pumping station mount plate	1	
14	GB/T 889.1-2000	Nut M10	2	
15	6912-0200020-01	Water-proof joint M20x1.5	3	
16	GB/T 70.3-2000	Screw M10x30	2	
17	EGTWY10A-121502	Pumping station mat	1	
18	GB/T 97.1-2002	Washer 10	2	
19	GB/T 5783-2000	Bolt M10x30	2	
20	EGTWY10A-121503	Pumping station rubber mat	1	
21	5807-6152540-01	Hydraulic power union	1	
22	EGTWY10AC-161000	Ground control box assembly (Refer to 2-10)	1	
23	GB/T 6170-2000	Nut M4	2	
24	GB/T 93-1987	Spring washer 4	2	
25	GB/T 97.1-2002	Washer 4	2	

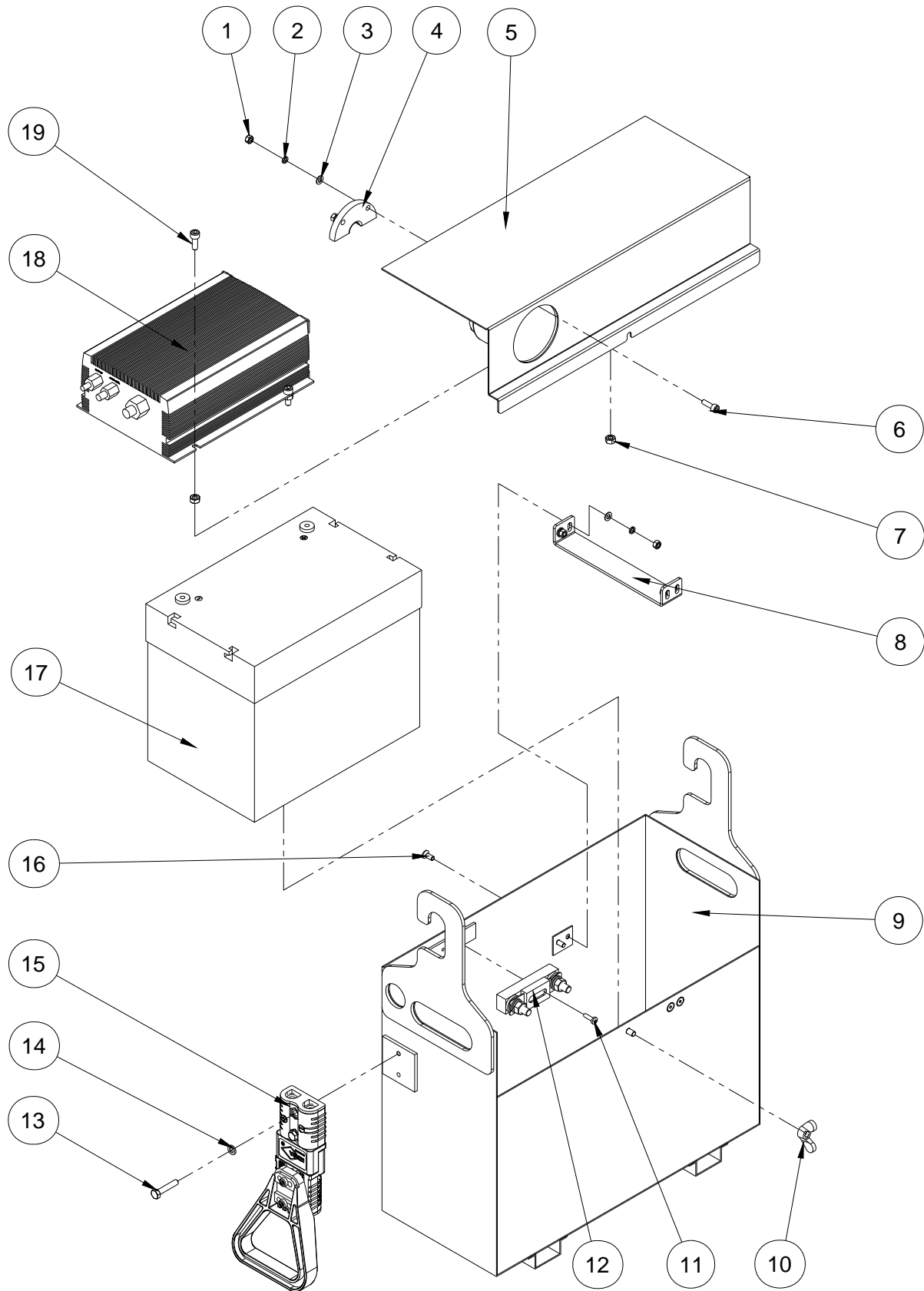
Figure 2-12 Battery Box Assembly 1 (DC Model)



**Figure 2-12 Battery Box Assembly 1 (DC Model)**

Item	Part Number	Description	Qty.	Remark
1	EGTWY10D-170001	Battery box cover	1	
2	6901-0312085-01	Battery	1	
3	GB/T 70.1-2000	Screw M4×10	6	
4	GB/T 97.1-2002	Washer 4	6	
5	EGTWY10D-170002	Battery side baffle	2	
6	6906-8120100-01	Fuse 100A	1	
7	GB/T 818-2000	Screw M4×12-H	4	
8	GB/T 62.1-2004	Nut M8	1	
9	EGTWY10D-171000	Battery box	1	
10	6911-0005102-01	Connector	1	
11	GB/T 848-1985	Washer 6	2	
12	GB/T 5782-2000	Bolt M6×30	2	
13	GB/T 6170-2000	Nut M4	2	
14	EGTWY10D-170003	Battery plate	1	

Figure 2-13 Battery Box Assembly 2 (DC Model)

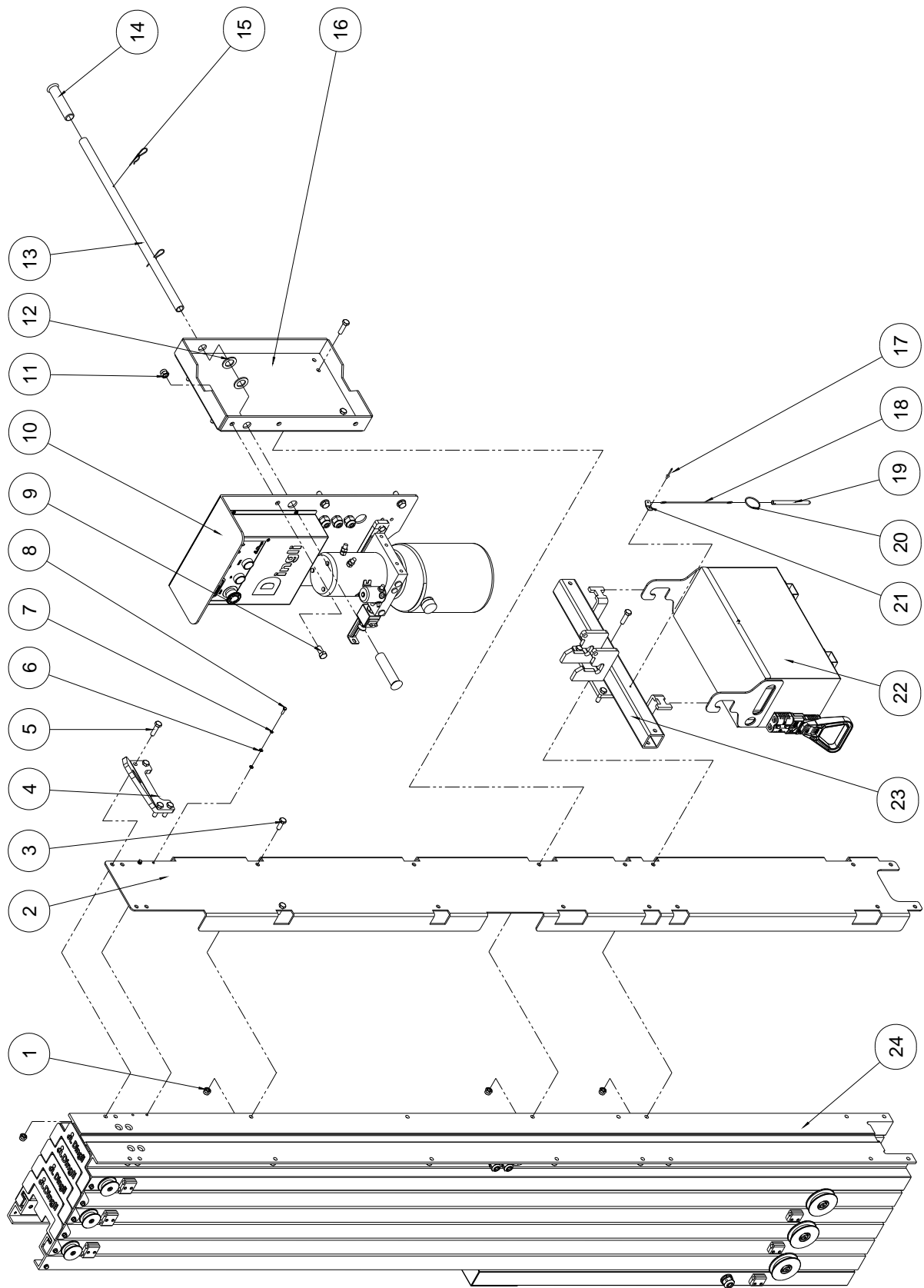




**Figure 2-13 Battery Box Assembly 2 (DC Model)**

Item	Part Number	Description	Qty.	Remark
1	GB/T 6170-2000	Nut M5	8	
2	GB/T 93-1987	Spring washer 5	8	
3	GB/T 97.1-2002	Washer 5	8	
4	JCPT1212HD-121003	Half disk	2	
5	EGTWY10-620110	Battery box cover weldment	1	
6	GB/T 70.1-2000	Screw M5x16	4	
7	GB/T 6170-2000	Nut M6	8	
8	EGTWY10-620101	Battery plate	1	
9	EGTWY10-620120	Battery box	1	
10	GB/T 62.1-2004	Nut M8	1	
11	GB/T 818-2000	Screw M4x14-H	2	
12	6906-8120100-01	Fuse 100A	1	
13	GB/T 5782-2000	Bolt M6x30	2	
14	GB/T 848-1985	Washer 6	2	
15	6911-0005102-01	Connector	1	
16	GB/T 70.3-2000	Screw M5x12	4	
17	6901-0312085-01	Battery	1	
18	6901-0141215-01	Charger	2	
19	GB/T 70.1-2000	Screw M6x16	4	

Figure 2-14 Mast and Accessory Assembly (GTWY14-1200)



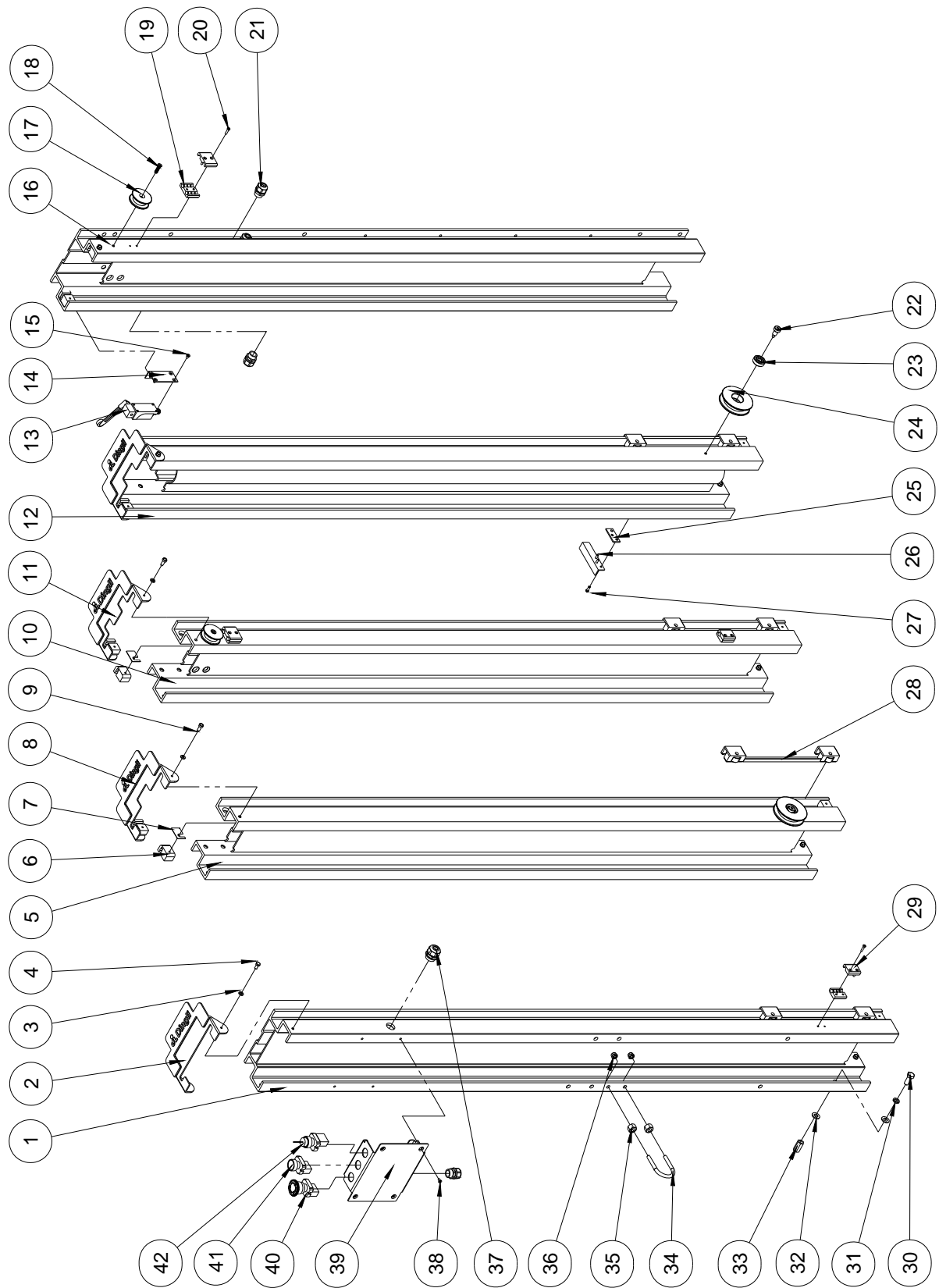
**Figure 2-14 Mast and Accessory Assembly (GTWY14-1200)**

Item	Part Number	Description	Qty.	Remark
1	GB/T 889.1-2000	Nut M10	14	
2	EGTWY12-121001	Plate	1	
3	GB/T 5783-2000	Bolt M10×25	2	
4	EGTWY10-121002	Lifting eye plate	1	
5	GB/T 5783-2000	Bolt M10×35	12	
6	GB/T 95-2002	Washer 5	4	
7	GB/T 93-1987	Spring washer 5	2	
8	GB/T 5783-2000	Bolt M5×16	2	
9	GB/T 5783-2000	Bolt M12×25	3	
10	EGTWY10D-121500	Pumping station assembly 1 (Refer to 2-6)	1	DC Model
	EGTWY10D-121600	Pumping station assembly 2 (Refer to 2-8)	1	
	EGTWY10A-121500	Pumping station assembly 1 (Refer to 2-9)	1	AC Model
	EGTWY10A-121600	Pumping station assembly 2 (Refer to 2-11)	1	
11	GB/T 6182-2000	Nut M12	3	
12	GB/T 95-2002	Washer 22	2	
13	EGTWY12-121202	Handle	1	
14	EGTWY8-810002	Rubber grip	2	
15	GB/T 91-2000	Retainer pin	2	
16	EGTWY12-121201	Mounting plate bracket	1	
17	GB/T 12615.1-2004	Non-core rivet 4×8	1	
18	EGTWY12-121113	Lockpin line	1	
19	EGTWY12-121111	Lockpin	1	
20	EGTWY12-121112	Lockpin loop	1	
21	EGTWY12-121114	Plate	1	
22	EGTWY10D-170000	Battery box assembly 1 (Refer to 2-12)	1	DC Model
	EGTWY10-620100	Battery box assembly 2 (Refer to 2-13)	1	

**Figure 2-14 Mast and Accessory Assembly (GTWY14-1200)**

<b>Item</b>	<b>Part Number</b>	<b>Description</b>	<b>Qty.</b>	<b>Remark</b>
23	EGTWY12-121100	Battery pack hanger assembly	1	
24	EGTWY12-122000	Mast assembly (Refer to 2-18)	1	

Figure 2-15 Mast Assembly (GTWY8-1200)



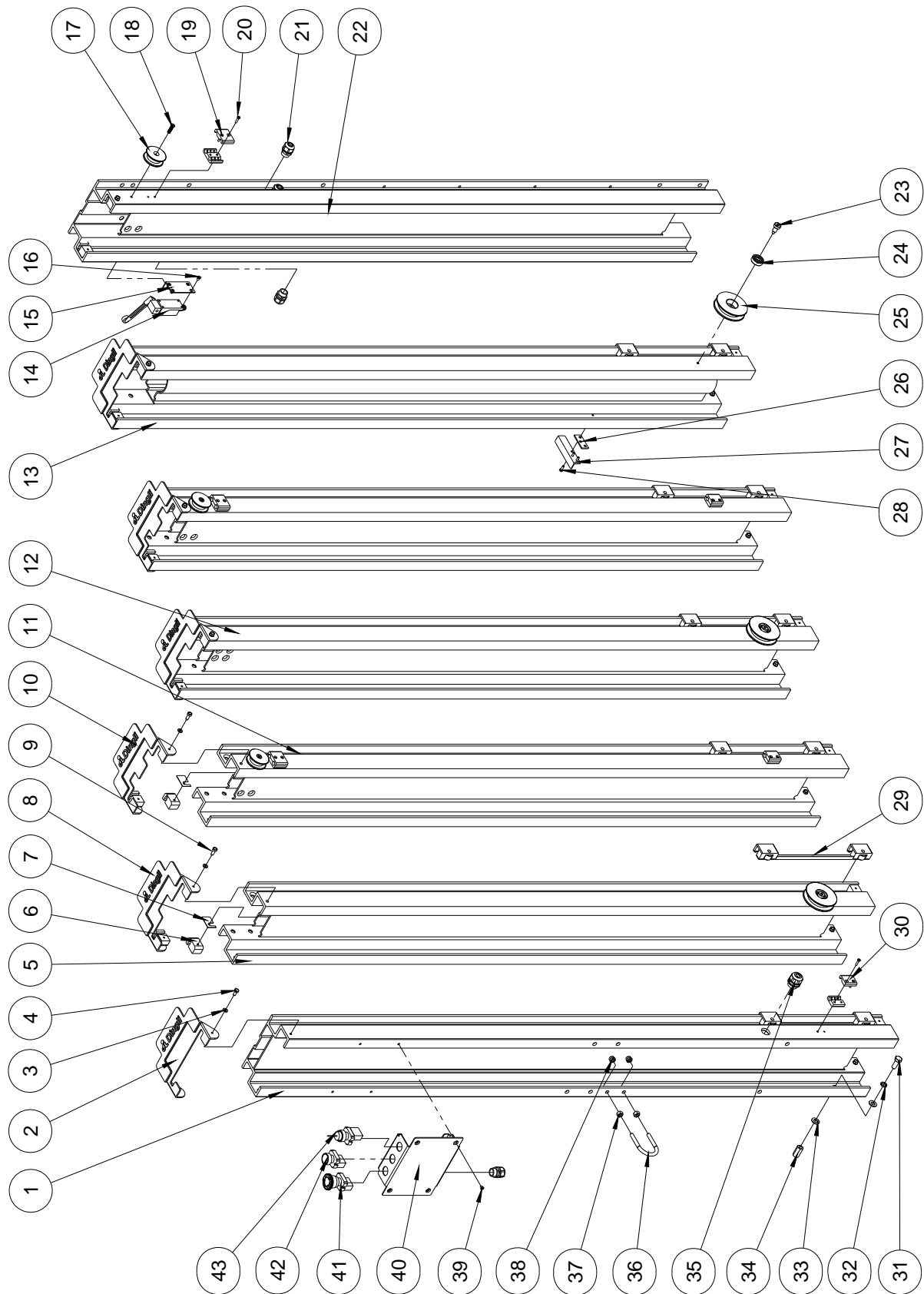
**Figure 2-15 Mast Assembly (GTWY8-1200)**

Item	Part Number	Description	Qty.	Remark
1	EGTWY10-122006	Mast 6	1	
2	EGTWY10-122010	Mast cover	1	
3	GB/T 97.1-2002	Washer 6	18	
4	GB/T 5783-2000	Bolt M6x12	2	
5	EGTWY8-122005	Mast 5	1	
6	GTWY8-320018	Block	16	
7	GTWY8-320020	Piece	16	
8	EGTWY10-122008	Mast cover	2	
9	GB/T 5285-1985	Screw ST6.3x19 C	16	
10	EGTWY10-122003	Mast 3	1	
11	EGTWY10-122009	Mast cover	1	
12	EGTWY10-122002	Mast 2	1	
13	6909-0702200-01	Limit switch	1	
14	GTWY8-320012	Limit switch seat	1	
15	GB/T 819.2-1997	Screw M5x8-H1	4	
16	EGTWY10-122001	Mast 1	1	
17	GTWY8-320013	Little control cable sheave	2	
18	GB/T 819.1-2000	Screw M6x25-H	2	
19	GTWY8-320009	Wire fixation	4	
20	GB/T 823-2000	Screw M4x16	8	
21	6912-0200020-01	Water-proof joint M20x1.5	4	
22	GTWY8-320007	Bolt	2	
23	GB/T 276-1994	Bearing 6200	2	
24	GTWY8-320008	Big control cable sheave	2	
25	GTWY8-320011	Insulated mat	1	
26	EGTWY10-122012	Limiting plate	1	
27	GB/T 5783-2000	Bolt M4x12	3	
28	GTWY8-320100	Trolley seat assembly (Refer to 2-19)	8	

**Figure 2-15 Mast Assembly (GTWY8-1200)**

Item	Part Number	Description	Qty.	Remark
29	GTWY8-320019	Single wire fixation	4	
30	GB/T 5783-2000	Bolt M10x20	1	
31	GB/T 93-1987	Spring washer 10	1	
32	GB/T 95-2002	Washer 10	2	
33	EGTWY10-120102	Coupler nut	1	
34	EGTWY10-122011	Safety belt loop	1	
35	GB/T 6170-2000	Nut M8	2	
36	GB/T 889.1-2000	Nut M8	2	
37	6912-0200024-01	Water-proof joint M24x1.5	1	
38	GB/T 819.1-2000	Screw M6x12-H	4	
39	EGTWY10-122007	Control panel mount plate	1	
40	6909-0501140-01	Emergency stop switch	1	
41	6901-0201113-01	Button (Green)	1	
42	6909-0301322-01	Select switch	1	

Figure 2-16 Mast Assembly (GTWY10-1200)





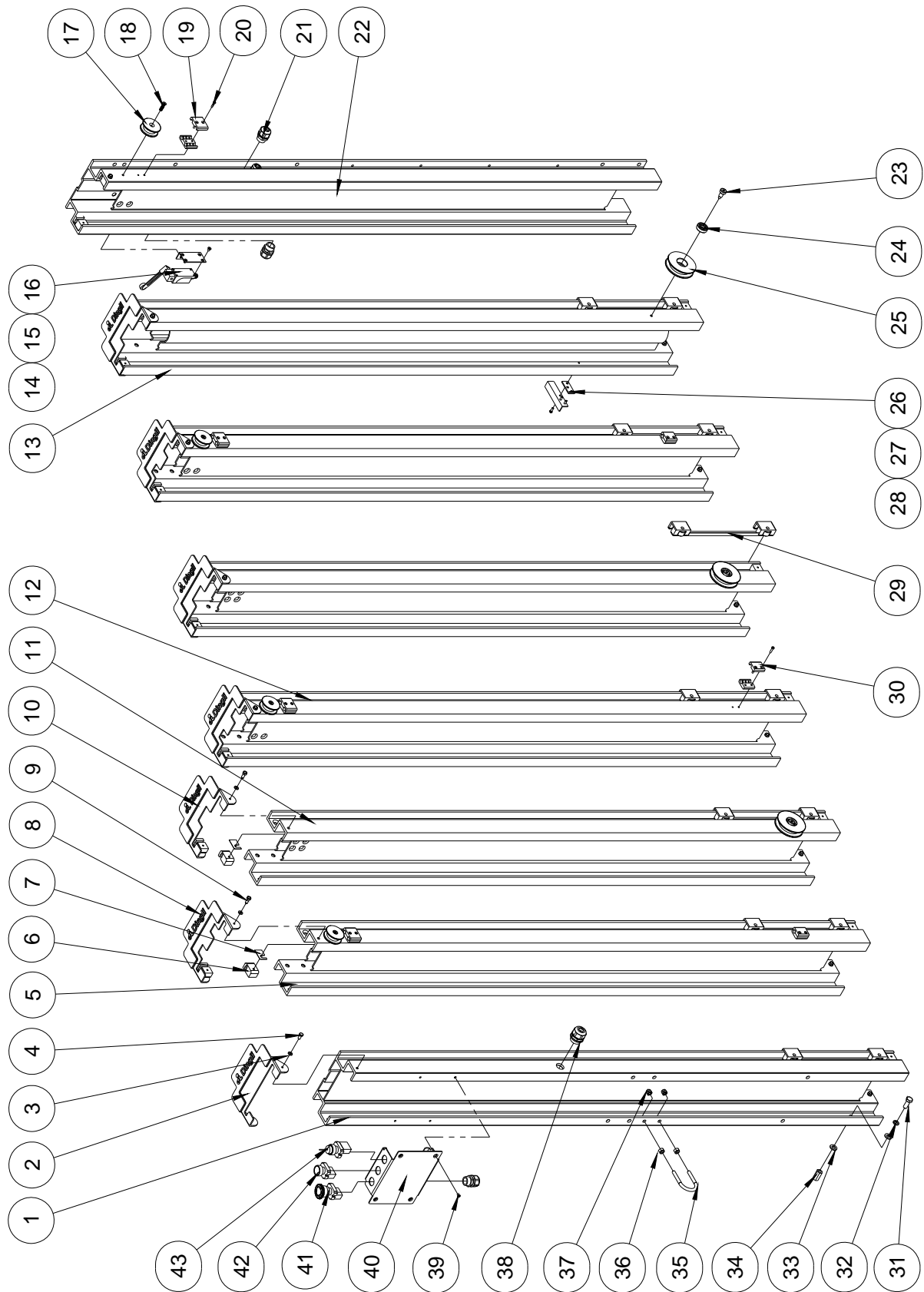
**Figure 2-16 Mast Assembly (GTWY10-1200)**

Item	Part Number	Description	Qty.	Remark
1	EGTWY8-122006	Mast 6	1	
2	EGTWY10-122010	Mast cover	1	
3	GB/T 97.1-2002	Washer 6	26	
4	GB/T 5783-2000	Bolt M6x12	2	
5	EGTWY8-122005	Mast 5	1	
6	GTWY8-320018	Block	24	
7	GTWY8-320020	Piece	24	
8	EGTWY10-122008	Mast cover	3	
9	GB/T 5285-1985	Screw ST6.3x19 C	24	
10	EGTWY10-122009	Mast cover	2	
11	EGTWY10-122003	Mast 3	2	
12	EGTWY10-122004	Mast 4	1	
13	EGTWY10-122002	Mast 2	1	
14	6909-0702200-01	Limit switch	1	
15	GTWY8-320012	Limit switch seat	1	
16	GB/T 819.2-1997	Screw M5x8-H1	4	
17	GTWY8-320013	Little control cable sheave	3	
18	GB/T 819.1-2000	Screw M6x25-H	3	
19	GTWY8-320009	Wire fixation	6	
20	GB/T 823-2000	Screw M4x16	12	
21	6912-0200020-01	Water-proof joint M20x1.5	4	
22	EGTWY10-122001	Mast 1	1	
23	GTWY8-320007	Bolt	3	
24	GB/T 276-1994	Bearing 6200	3	
25	GTWY8-320008	Big control cable sheave	3	
26	GTWY8-320011	Insulated mat	1	
27	EGTWY10-122012	Limiting plate	1	
28	GB/T 5783-2000	Bolt M4x12	3	

**Figure 2-16 Mast Assembly (GTWY10-1200)**

Item	Part Number	Description	Qty.	Remark
29	GTWY12-1000-320100	Trolley seat assembly (Refer to 2-19)	12	
30	GTWY8-320019	Single wire fixation	9	
31	GB/T 5783-2000	Bolt M10x20	1	
32	GB/T 93-1987	Spring washer 10	1	
33	GB/T 95-2002	Washer 10	2	
34	EGTWY10-120102	Coupler nut	1	
35	6912-0200024-01	Water-proof joint M24x1.5	1	
36	EGTWY10-122011	Screw M6x12-H	1	
37	GB/T 6170-2000	Control panel mount plate	2	
38	GB/T 889.1-2000	Emergency stop switch	2	
39	GB/T 819.1-2000	Button (Green)	4	
40	EGTWY10-122007	Select switch	1	
41	6909-0501140-01	Emergency stop switch	1	
42	6901-0201113-01	Button (Green)	1	
43	6909-0301322-01	Select switch	1	

Figure 2-17 Mast Assembly (GTWY12-1200)



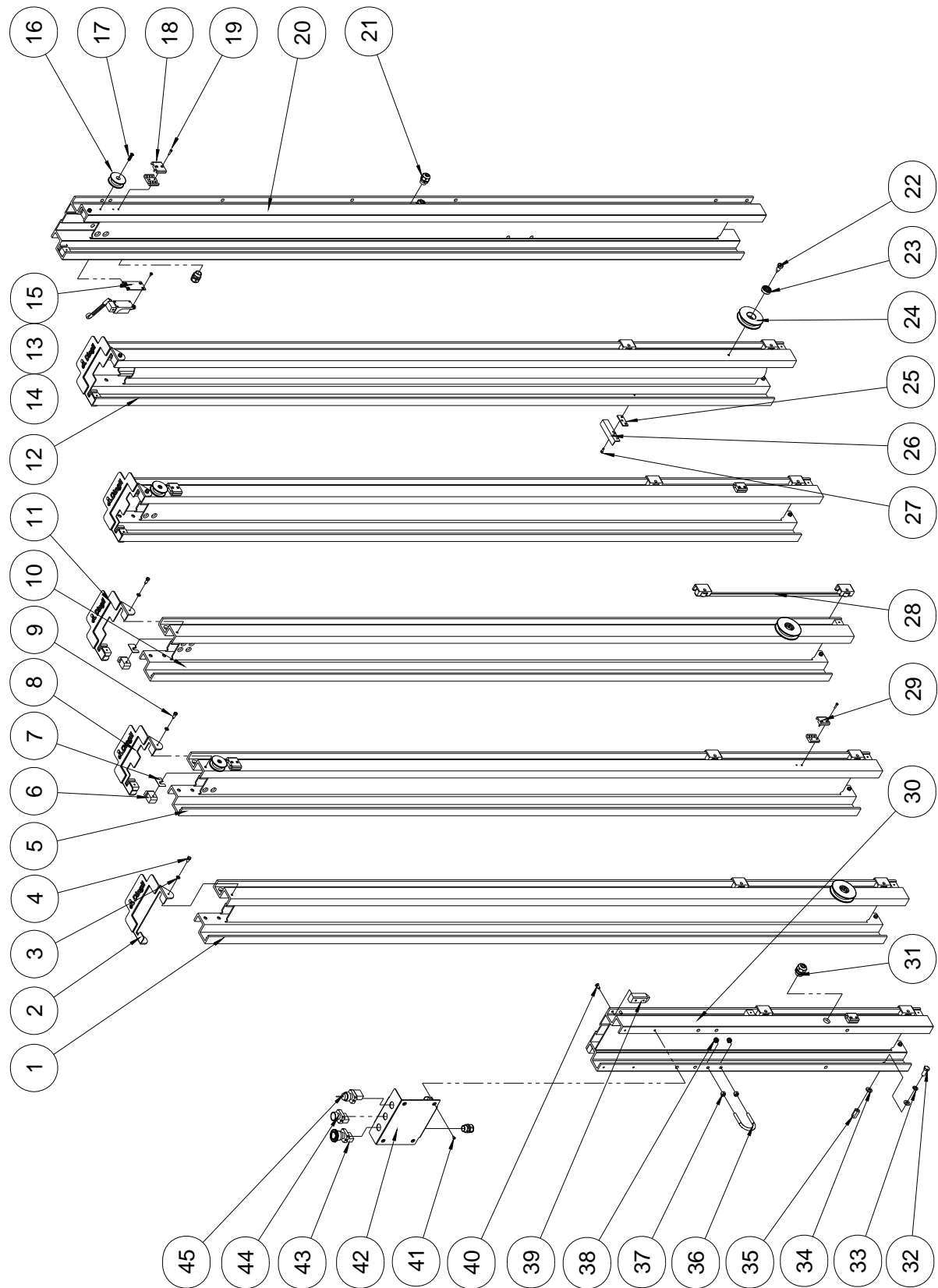
**Figure 2-17 Mast Assembly (GTWY12-1200)**

Item	Part Number	Description	Qty.	Remark
1	EGTWY10-122001	Mast 1	1	
2	EGTWY10-122010	Mast cover	1	
3	GB/T 97.1-2002	Washer 6	30	
4	GB/T 5783-2000	Bolt M6×12	2	
5	EGTWY10-122005	Long Mast	1	
6	GTWY8-320018	Block	28	
7	GTWY8-320020	Piece	28	
8	EGTWY10-122009	Mast cover	3	
9	GB/T 5285-1985	Screw ST6.3×19 C	28	
10	EGTWY10-122008	Mast cover	3	
11	EGTWY10-122004	Mast 4	2	
12	EGTWY10-122003	Mast 3	2	
13	EGTWY10-122002	Mast 2	1	
14	6909-0702200-01	Limit switch	1	
15	GTWY8-320012	Limit switch seat	1	
16	GB/T 819.2-1997	Screw M5×8-H1	4	
17	GTWY8-320013	Little control cable sheave	4	
18	GB/T 819.1-2000	Screw M6×25-H	4	
19	GTWY8-320009	Wire fixation	8	
20	GB/T 823-2000	Screw M4×16	14	
21	6912-0200020-01	Water-proof joint M20×1.5	4	
22	EGTWY10-122006	Mast 6	1	
23	GTWY8-320007	Bolt	3	
24	GB/T 276-1994	Bearing 6200	3	
25	GTWY8-320008	Big control cable sheave	3	
26	GTWY8-320011	Insulated mat	1	
27	EGTWY10-122012	Limiting plate	1	
28	GB/T 5783-2000	Bolt M4×12	3	

**Figure 2-17 Mast Assembly (GTWY12-1200)**

Item	Part Number	Description	Qty.	Remark
29	GTWY8-320100	Trolley seat assembly (Refer to 2-19)	14	
30	GTWY8-320019	Single wire fixation	6	
31	GB/T 5783-2000	Bolt M10x20	1	
32	GB/T 93-1987	Spring washer 10	1	
33	GB/T 95-2002	Washer 10	2	
34	EGTWY10-120102	Coupler nut	1	
35	EGTWY10-122011	Safety belt loop	1	
36	GB/T 6170-2000	Nut M8	2	
37	GB/T 889.1-2000	Nut M8	2	
38	6912-0200024-01	Water-proof joint M24x1.5	1	
39	GB/T 819.1-2000	Screw M6x12-H	4	
40	EGTWY10-122007	Control panel mount plate	1	
41	6909-0501140-01	Emergency stop switch	1	
42	6901-0201113-01	Button (Green)	1	
43	6909-0301322-01	Select switch	1	

Figure 2-18 Mast Assembly (GTWY14-1200)



**Figure 2-18 Mast Assembly (GTWY14-1200)**

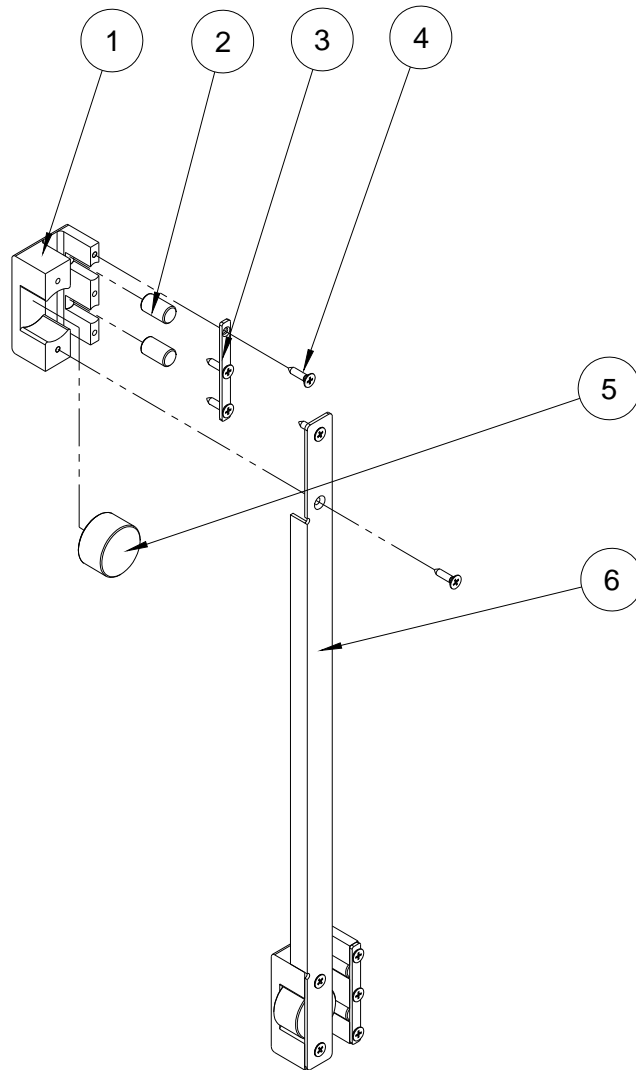
Item	Part Number	Description	Qty.	Remark
1	EGTWY12-122005	Mast 5	1	
2	EGTWY10-122010	Mast cover	1	
3	GB/T 97.1-2002	Washer 6	26	
4	GB/T 5783-2000	Bolt M6x12	2	
5	EGTWY12-122003	Mast 3	2	
6	GTWY8-320018	Block	24	
7	GTWY8-320020	Piece	24	
8	EGTWY10-122009	Mast cover	2	
9	GB/T 5285-1985	Screw ST6.3x19 C	24	
10	EGTWY12-122004	Mast 4	1	
11	EGTWY10-122008	Mast cover	2	
12	EGTWY12-122002	Mast 2	1	
13	6909-0702200-01	Limit switch	1	
14	GTWY8-320012	Limit switch seat	1	
15	GB/T 819.2-1997	Screw M5x8-H1	4	
16	GTWY8-320013	Little control cable sheave	3	
17	GB/T 819.1-2000	Screw M6x25-H	3	
18	GTWY8-320009	Wire fixation	6	
19	GB/T 823-2000	Screw M4x16	12	
20	EGTWY12-122001	Mast 2	1	
21	6912-0200020-01	Water-proof joint M20x1.5	4	
22	GTWY8-320007	Bolt	3	
23	GB/T 276-1994	Bearing 6200	3	
24	GTWY8-320008	Big control cable sheave	3	
25	GTWY8-320011	Insulated mat	1	
26	EGTWY10-122012	Limiting Plate	1	
27	GB/T 5783-2000	Bolt M4x12	3	
28	EGTWY12-122100	Trolley seat assembly (Refer to 2-19)	14	

**Figure 2-18 Mast Assembly (GTWY14-1200)**

Item	Part Number	Description	Qty.	Remark
29	GTWY8-320019	Single wire fixation	6	
30	EGTWY12-122006	Mast 6	1	
31	6912-0200024-01	Water-proof joint M24x1.5	1	
32	GB/T 5783-2000	Bolt M10x20	1	
33	GB/T 93-1987	Spring washer 10	1	
34	GB/T 95-2002	Washer 10	2	
35	EGTWY10-120102	Coupler nut	1	
36	EGTWY10-122011	Safety belt loop	1	
37	GB/T 6170-2000	Nut M8	2	
38	GB/T 889.1-2000	Nut M8	2	
39	EGTWY12-121003	Block	2	
40	GB/T 70.3-2000	Screw M6x16	4	
41	GB/T 819.1-2000	Screw M6x12-H	4	
42	EGTWY10-122007	Control panel mount plate	1	
43	6909-0501140-01	Emergency stop switch	1	
44	6901-0201113-01	Button (Green)	1	
45	6909-0301322-01	Select switch	1	



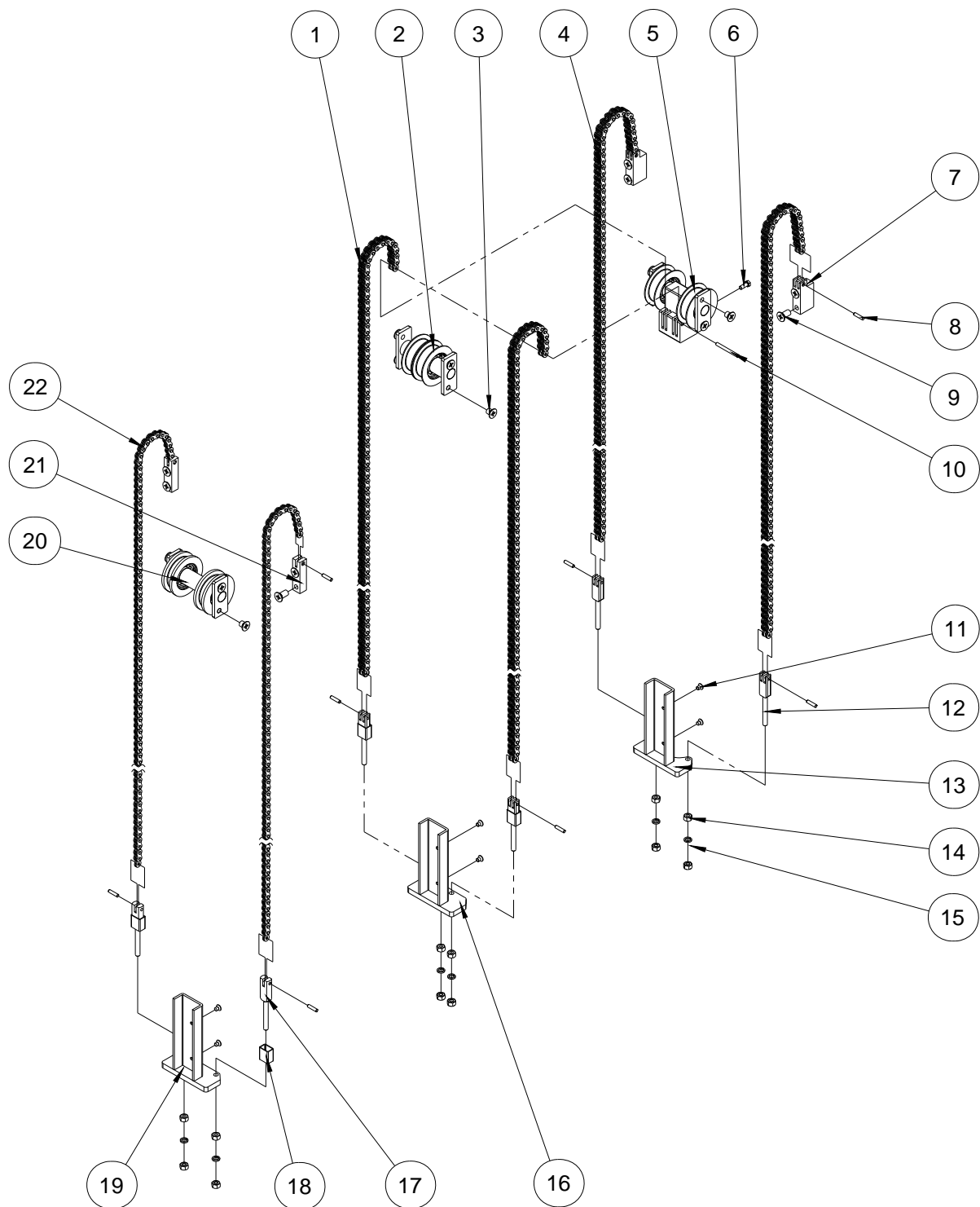
**Figure 2-19 Trolley Seat Assembly**



**Figure 2-19 Trolley Seat Assembly**

Item	Part Number	Description	Qty.	Remark
1	GTWY8-320101	Trolley seat	2	
2	GTWY8-320103	Subsidiary trolley	4	
3	GTWY8-320105	Plate	2	
4	GB/T 846-1985	Screw ST2.9x13 H C	10	
5	GTWY8-320102	Main trolley	2	
6	GTWY8-320104	Bar	1	GTWY8/12-1200
	GTWY12-1000-320104	Bar	1	GTWY10-1200
	EGTWY12-122101	Bar	1	GTWY14-1200

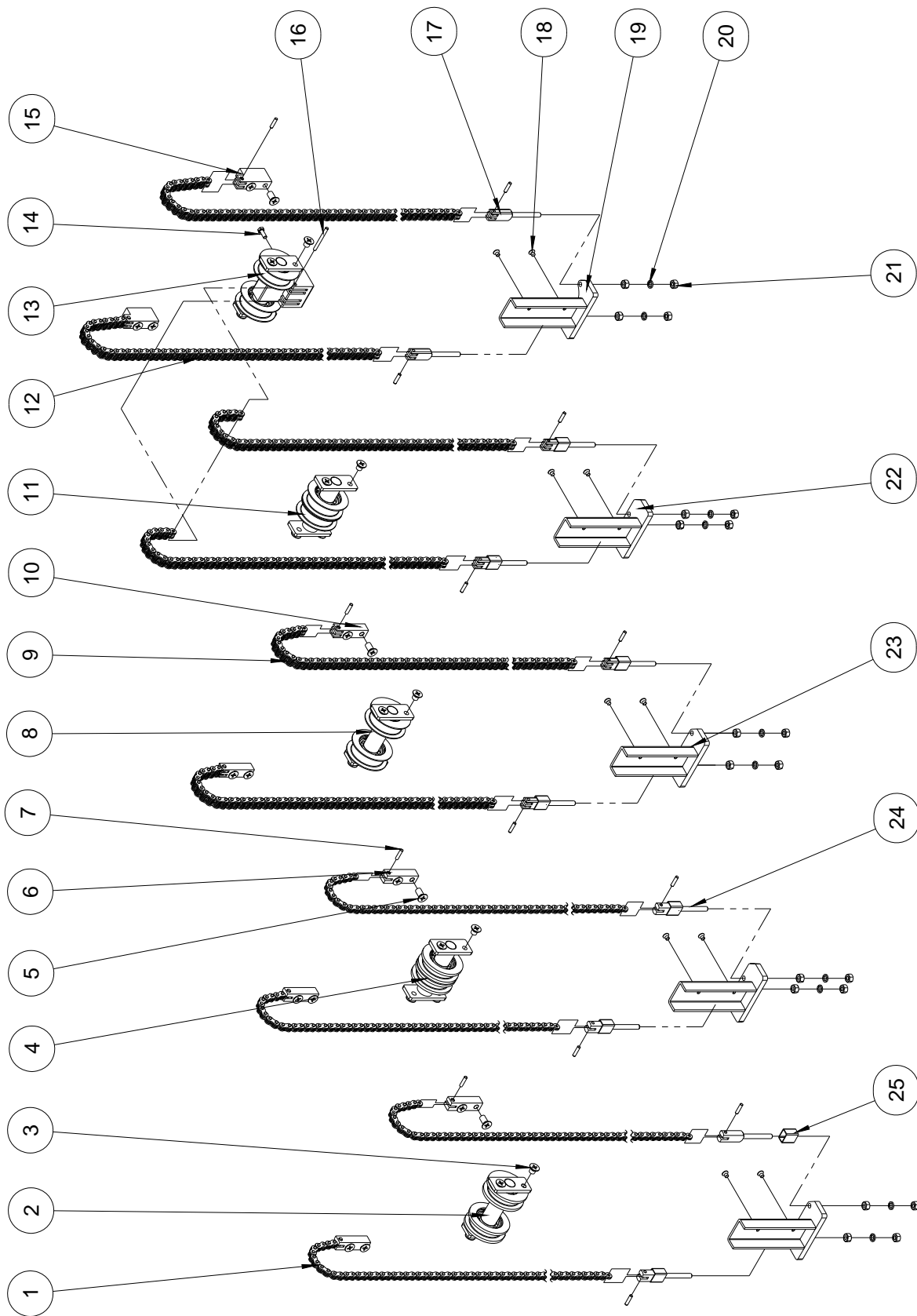
Figure 2-20 Lifting Chain Assembly (GTWY8-1200)



**Figure 2-20 Lifting Chain Assembly (GTWY8-1200)**

Item	Part Number	Description	Qty.	Remark
1	GB 6074-1995	LH0844-143	2	
2	GTWY8-320200	3-3 Mast chain wheel assembly (Refer to 2-23)	1	
3	GB/T 819.2-1997	Screw M10×12-H1	16	
4	GB 6074-1995	LH0844-145	2	
5	GTWY8-320400	2-2 Mast chain wheel assembly (Refer to 2-24)	1	
6	GB/T 5783-2000	Bolt M6×16	1	
7	GTWY8-320014b	Upper chain terminal (Widen)	2	
8	GTWY8-13152	Chain pin	10	
9	GB/T 819.2-1997	Screw M10×20-H1	8	
10	GTWY8-13172	Long chain pin	1	
11	GB/T 819.2-1997	Screw M6×8-H1	6	
12	GTWY8-320015	Lower chain terminal	4	
13	GTWY8-320600	Dragger	1	
14	GB/T 6170-2000	Nut M8	12	
15	GB/T 93-1987	Spring washer 8	6	
16	GTWY8-320700	Dragger 2	1	
17	GTWY8-320017	Lower chain terminal	2	
18	GTWY8-320030	Nylon sheath	4	
19	GTWY8-320800	Dragger 3	1	
20	GTWY8-320300	4-4 Mast chain wheel assembly (Refer to 2-25)	1	
21	GTWY8-320016	Upper chain terminal	2	
22	GB 6074-1995	LH0822-143	2	

Figure 2-21 Lifting Chain Assembly (GTWY10/14-1200)



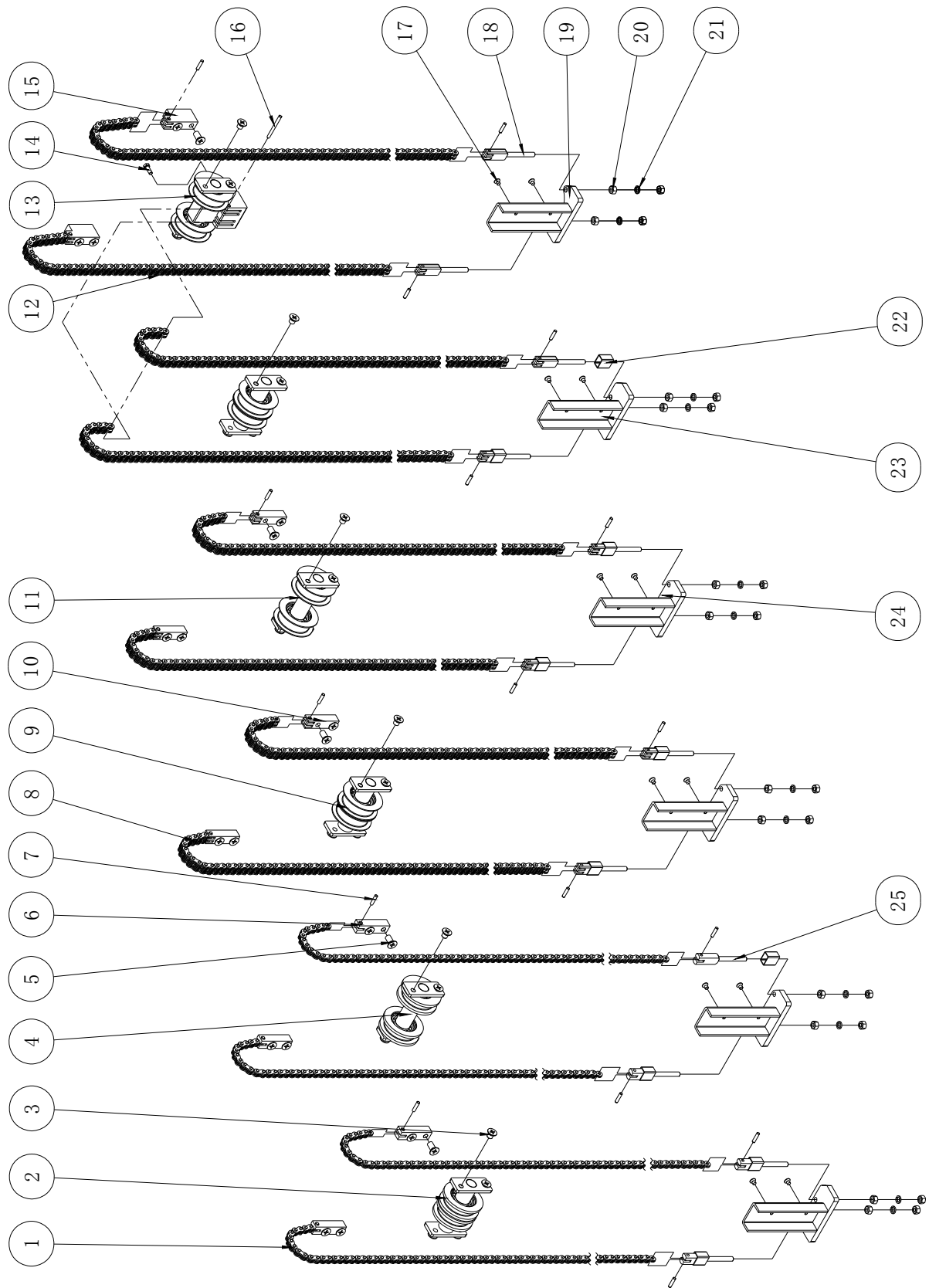
**Figure 2-21 Lifting Chain Assembly (GTWY10/14-1200)**

Item	Part Number	Description	Qty.	Remark
1	GB6074-1995	LH0822-143	4	GTWT10-1200
		LH0822-205		GTWT14-1200
2	GTWY8-320300	4-4 Mast chain wheel assembly (Refer to 2-25)	1	
3	GB/T 819.2-1997	Screw M10×12-H1	20	
4	GTWY8-320500	5-5 Mast chain wheel assembly (Refer to 2-26)	1	
5	GB/T 819.2-1997	Screw M10×20-H1	20	
6	GTWY8-320016	Upper chain terminal	4	
7	GTWY8-13152	Chain pin	18	
8	GTWY10-320100	4-4 Mast chain wheel assembly (Refer to 2-27)	1	
9	GB6074-1995	LH0844-143	4	GTWT10-1200
		LH0844-205		GTWT14-1200
10	GTWY8-320014	Upper chain terminal	2	
11	GTWY8-320200	3-3 Mast chain wheel assembly (Refer to 2-23)	1	
12	GB6074-1995	LH0844-145	2	GTWT10-1200
		LH0844-207		GTWT14-1200
13	GTWY8-320400	2-2 Mast chain wheel assembly (Refer to 2-24)	1	
14	GB/T 5783-2000	Bolt M6×16	1	
15	GTWY8-320014b	Upper chain terminal (Widen)	2	
16	GTWY8-13172	Long chain pin	1	
17	GTWY8-320015	Lower chain terminal	6	
18	GB/T 819.2-1997	Screw M6×8-H1	10	
19	GTWY8-320600	Dragger	1	
20	GB/T 93-1987	Spring washer 8	10	
21	GB/T6170-2000	Nut M8	20	
22	GTWY8-320700	Dragger 2	2	
23	GTWY8-320800	Dragger 3	2	

**Figure 2-21 Lifting Chain Assembly (GTWY10/14-1200)**

Item	Part Number	Description	Qty.	Remark
24	GTWY8-320017	Lower chain terminal	4	
25	GTWY8-320030	Nylon sheath	8	

Figure 2-22 Lifting Chain Assembly (GTWY12-1200)

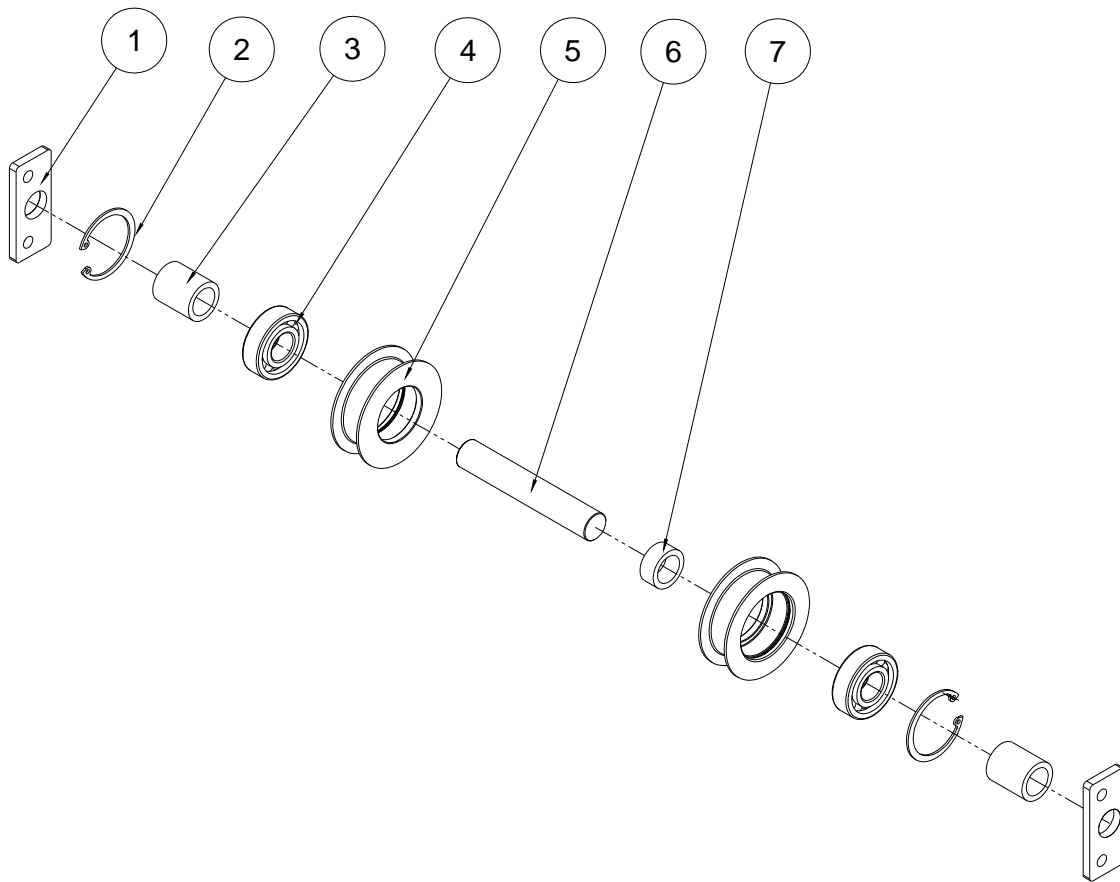


**Figure 2-22 Lifting Chain Assembly (GTWY12-1200)**

Item	Part Number	Description	Qty.	Remark
1	GB6074-1995	LH0822-143	4	
2	GTWY8-320500	5-5 Mast chain wheel assembly (Refer to 2-26)	1	
3	GB/T 819.2-1997	Screw M10×12-H1	24	
4	GTWY8-320300	4-4 Mast chain wheel assembly (Refer to 2-25)	1	
5	GB/T 819.2-1997	Screw M10×20-H1	24	
6	GTWY8-320016	Upper chain terminal	4	
7	GTWY8-13152	Chain pin	22	
8	GB6074-1995	LH0844-143	6	
9	GTWY8-320200	3-3 Mast chain wheel assembly (Refer to 2-23)	2	
10	GTWY8-320014	Upper chain terminal	4	
11	GTWY10-320100	4-4 Mast chain wheel assembly (Refer to 2-27)	1	
12	GB6074-1995	LH0844-145	2	
13	GTWY8-320400	2-2 Mast chain wheel assembly (Refer to 2-24)	1	
14	GB/T 5783-2000	Bolt M6×16	1	
15	GTWY8-320014b	Upper chain terminal (Widen)	2	
16	GTWY8-13172	Long chain pin	1	
17	GB/T 819.2-1997	Screw M6×8-H1	12	
18	GTWY8-320015	Lower chain terminal	8	
19	GTWY8-320600	Dragger	1	
20	GB/T6170-2000	Nut M8	24	
21	GB/T 93-1987	Spring washer 8	12	
22	GTWY8-320030	Nylon sheath	10	
23	GTWY8-320700	Dragger 2	3	
24	GTWY8-320800	Dragger 3	2	
25	GTWY8-320017	Lower chain terminal	4	



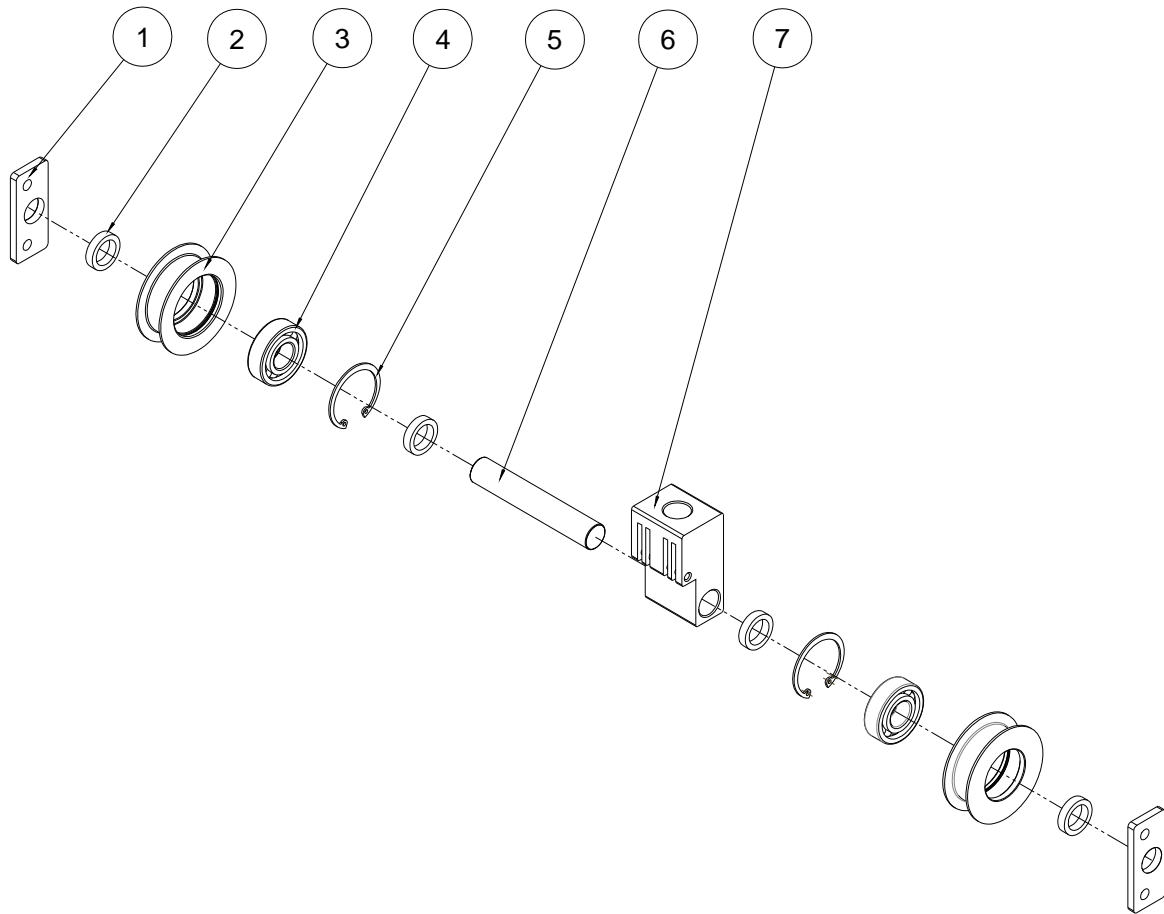
**Figure 2-23 3-3 Mast Chain Wheel Assembly**



**Figure 2-23 3-3 Mast Chain Wheel Assembly**

Item	Part Number	Description	Qty.	Remark
1	GTWY8-320201	Chain wheel supporting plate	2	
2	GB/T 893.1-1986	Circlips for holes 47	2	
3	GTWY8-320205	Bushing (2)	2	
4	GB/T 276-1994	Bearing 6204	2	
5	GTWY8-320203	Chain wheel	2	
6	GTWY8-320202	Chain wheel rod	1	
7	GTWY8-320204	Bushing (1)	1	

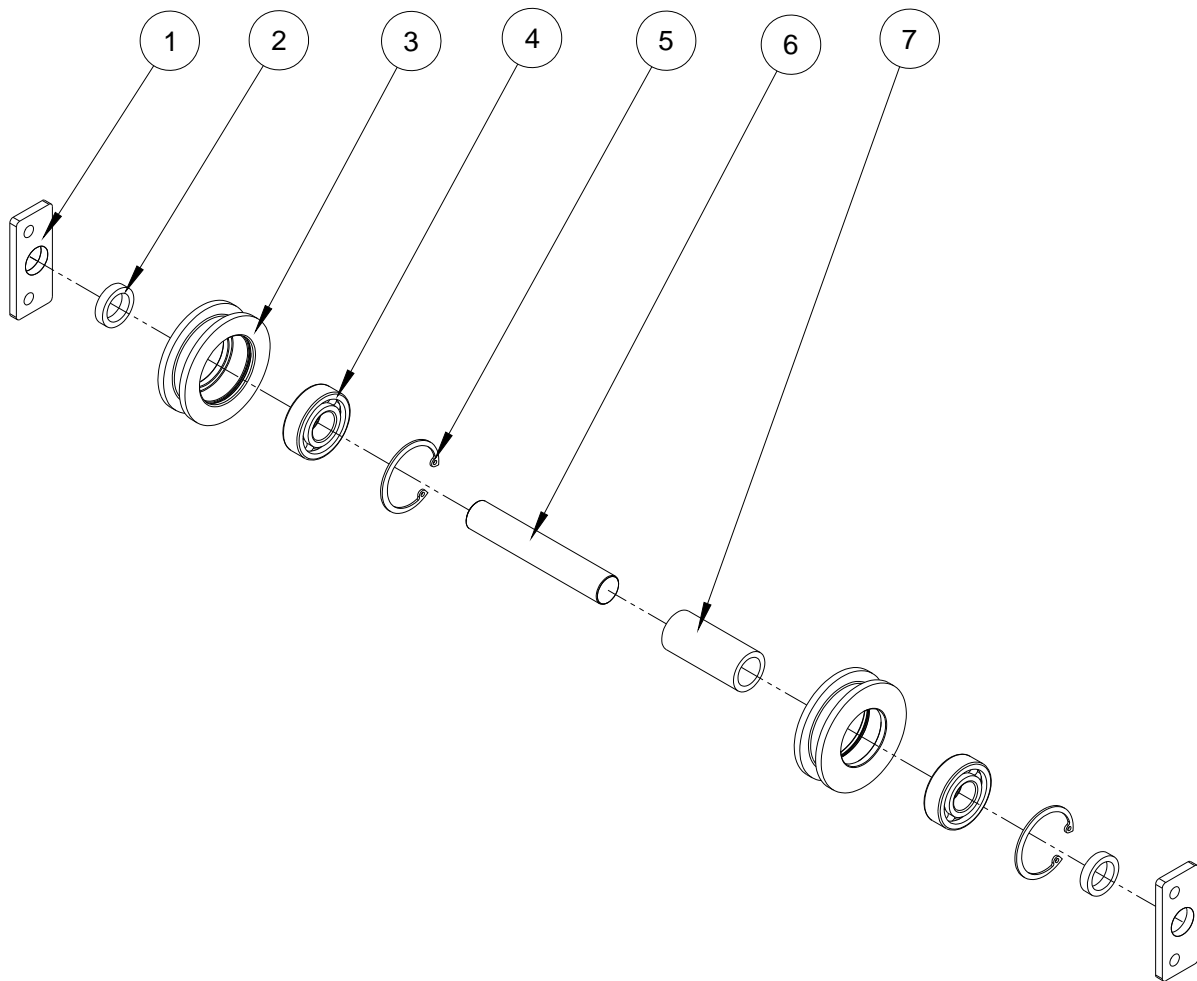
**Figure 2-24 2-2 Mast Chain Wheel Assembly**



**Figure 2-24 2-2 Mast Chain Wheel Assembly**

Item	Part Number	Description	Qty.	Remark
1	GTWY8-320201	Chain wheel supporting plate	2	
2	GTWY8-320302	Bushing (4)	4	
3	GTWY8-320203	Chain wheel	2	
4	GB/T 276-1994	Bearing 6204	2	
5	GB/T 893.1-1986	Circlips for holes 47	2	
6	GTWY8-320202	Chain wheel rod	1	
7	GTWY8-320401	Chain terminal	1	

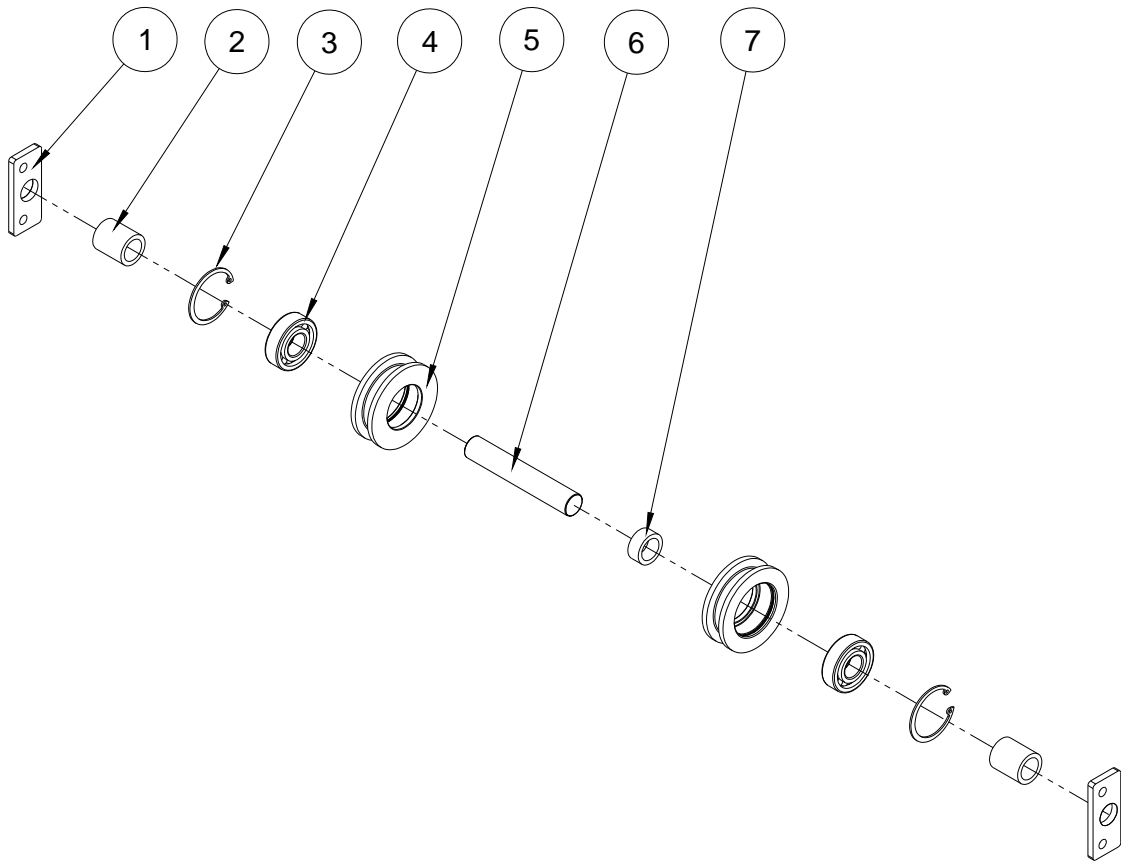
**Figure 2-25 4-4 Mast Chain Wheel Assembly**



**Figure 2-25 4-4 Mast Chain Wheel Assembly**

Item	Part Number	Description	Qty.	Remark
1	GTWY8-320201	Chain wheel supporting plate	2	
2	GTWY8-320302	Bushing (4)	2	
3	GTWY8-320303	Chain wheel	2	
4	GB/T 276-1994	Bearing 6204	2	
5	GB/T 893.1-1986	Circlips for holes 47	2	
6	GTWY8-320202	Chain wheel rod	1	
7	GTWY8-320301	Bushing (3)	1	

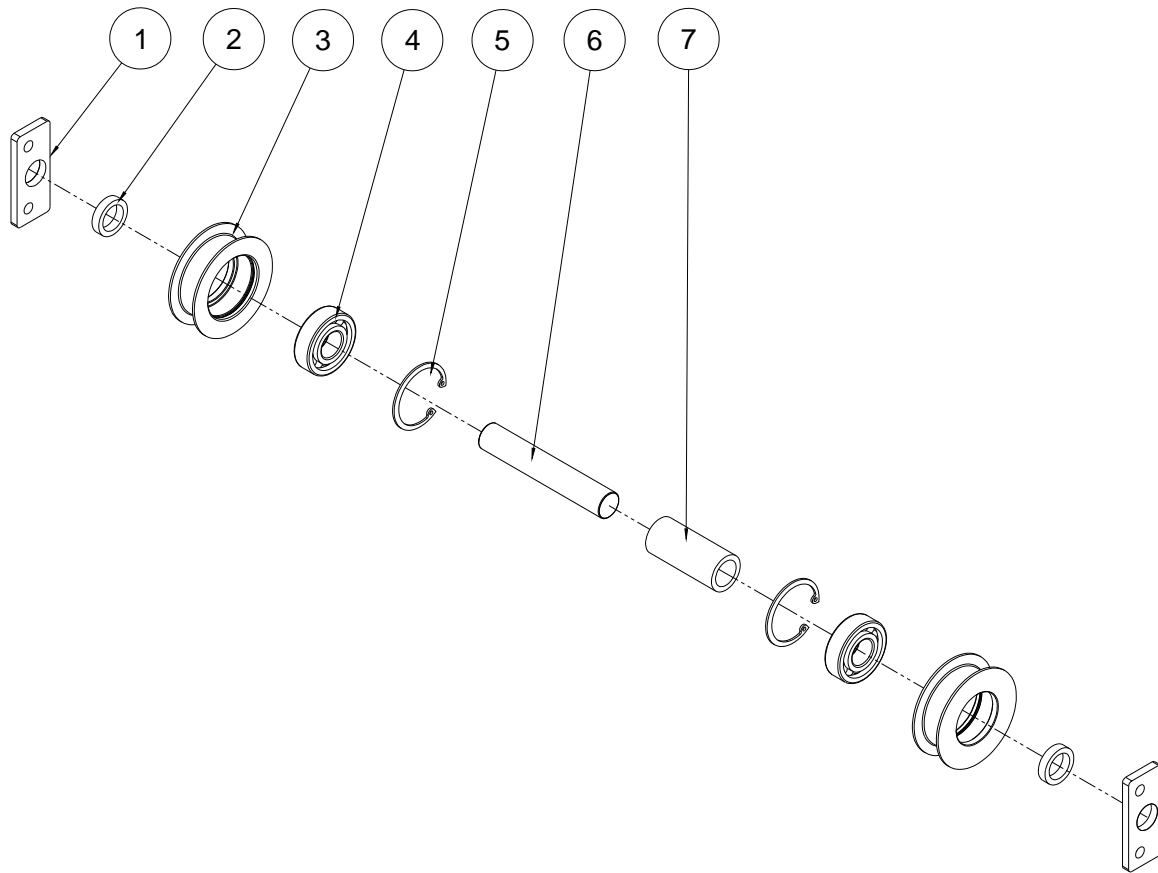
**Figure 2-26 5-5 Mast Chain Wheel Assembly (GTWY10/12/14-1200)**



**Figure 2-26 5-5 Mast Chain Wheel Assembly (GTWY10/12/14-1200)**

Item	Part Number	Description	Qty.	Remark
1	GTWY8-320201	Chain wheel supporting plate	2	
2	GTWY8-320205	Bushing (2)	2	
3	GB/T 893.1-1986	Circlips for holes 47	2	
4	GB/T 276-1994	Bearing 6204	2	
5	GTWY8-320303	Chain wheel	2	
6	GTWY8-320202	Chain wheel rod	1	
7	GTWY8-320204	Bushing (1)	1	

**Figure 2-27 4-4 Mast Chain Wheel Assembly (GTWY10/12/14-1200)**



**Figure 2-27 4-4 Mast Chain Wheel Assembly (GTWY10/12/14-1200)**

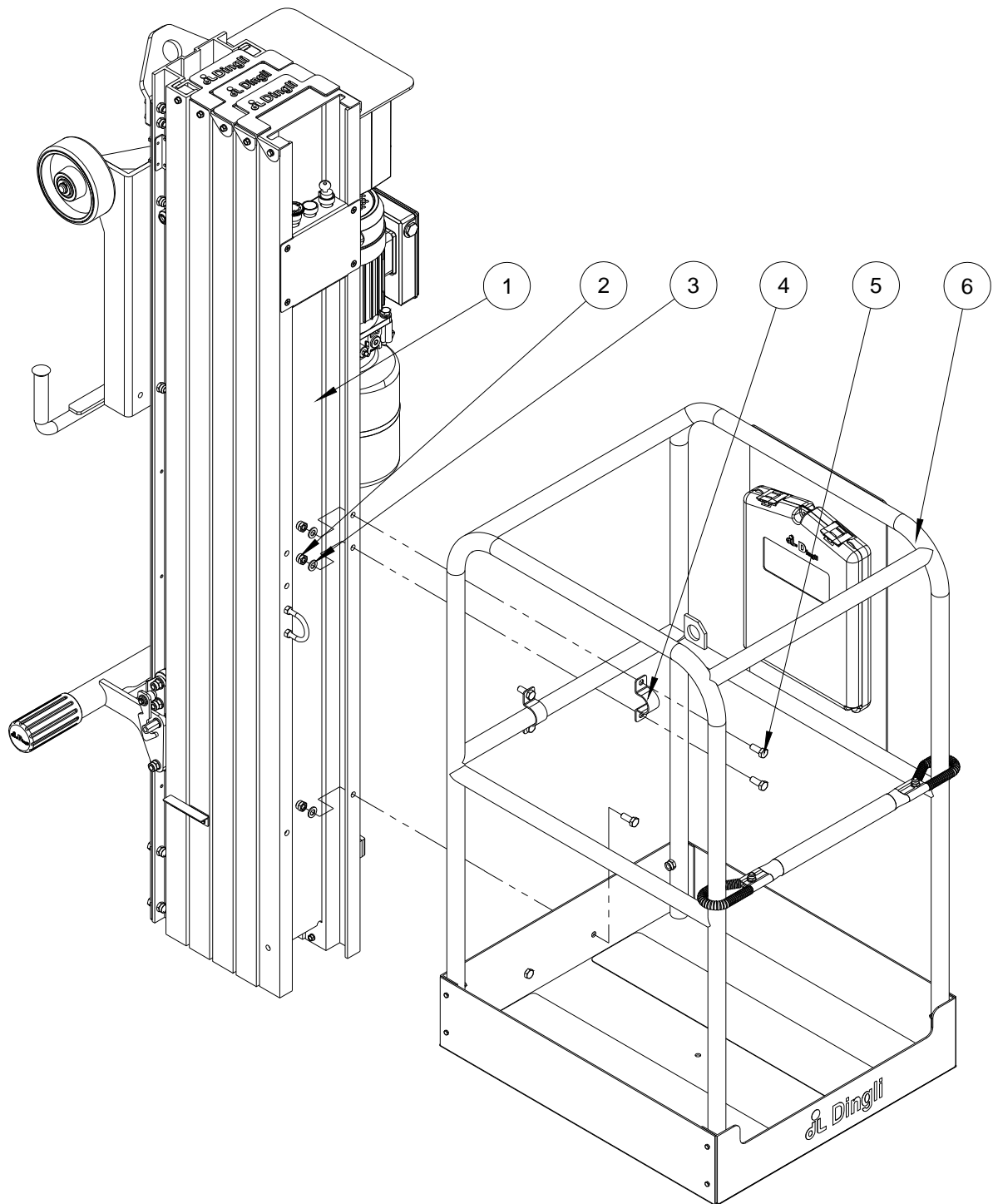
Item	Part Number	Description	Qty.	Remark
1	GTWY8-320201	Chain wheel supporting plate	2	
2	GTWY8-320302	Bushing (4)	2	
3	GTWY8-320203	Chain wheel	2	
4	GB/T 276-1994	Bearing 6204	2	
5	GB/T 893.1-1986	Circlips for holes 47	2	
6	GTWY8-320202	Chain wheel rod	1	
7	GTWY8-320301	Bushing (3)	1	



# Platform

# Section 3

Figure 3-1 Platform and Mast Installation

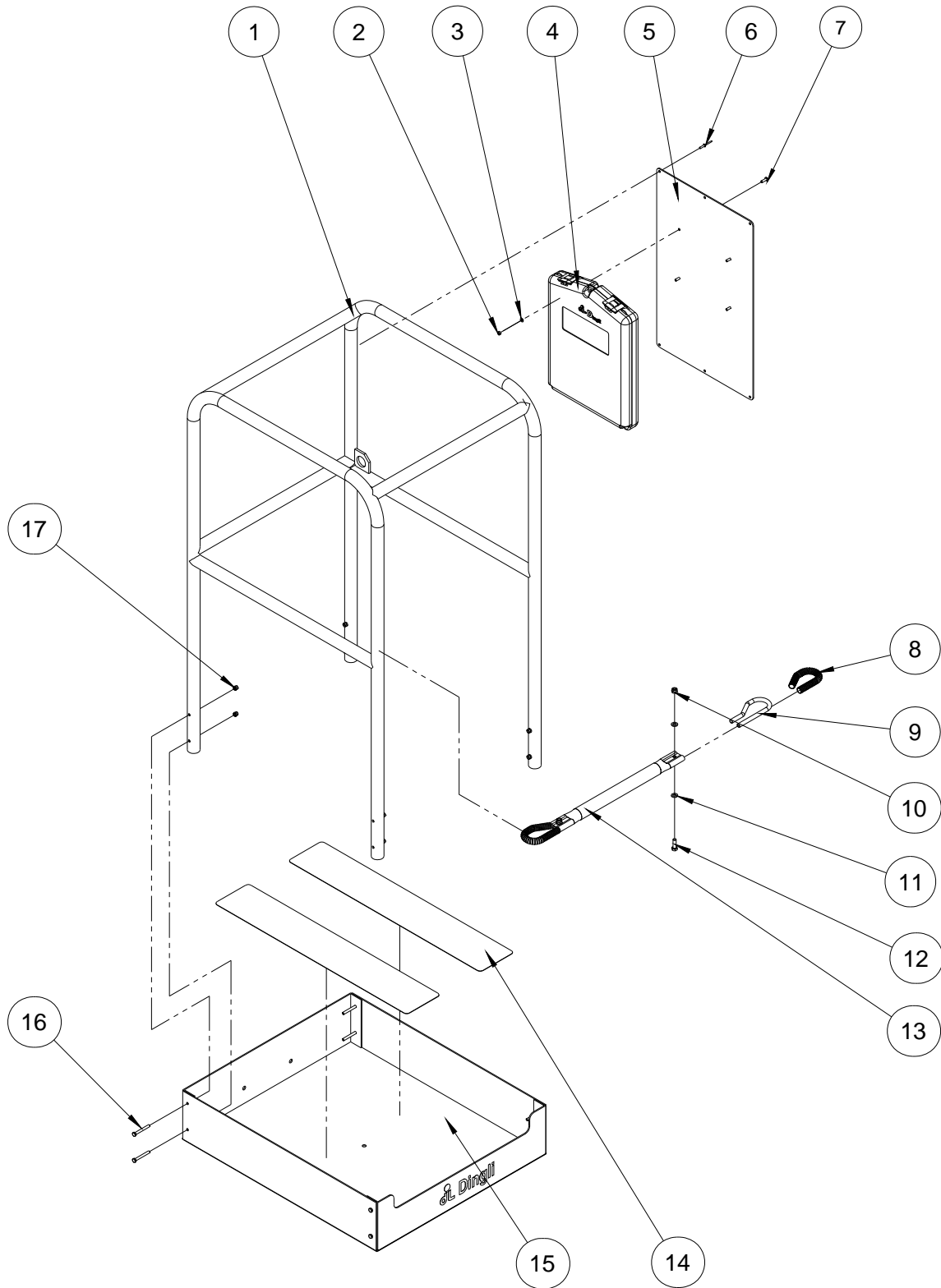


**Figure 3-1 Platform and Mast Installation**

Item	Part Number	Description	Qty.	Remark
1	EGTWY6-120000	Mast and accessory assembly (Refer to 2-3)	1	GTWY8-1200
	EGTWY8-120000	Mast and accessory assembly (Refer to 2-3)	1	GTWY10-1200
	EGTWY10-120000	Mast and accessory assembly (Refer to 2-3)	1	GTWY12-1200
	EGTWY12-120000	Mast and accessory assembly (Refer to 2-14)	1	GTWY14-1200
2	GB/T 889.1-2000	Nut M10	6	
3	GB/T 95-2002	Washer 10	6	
4	EGTWY10-140003	Clamp	2	
5	GB/T 5783-2000	Bolt M10×25	6	
6	EGTWY10-140000	Platform assembly (Refer to 3-2)	1	



Figure 3-2 Platform Assembly



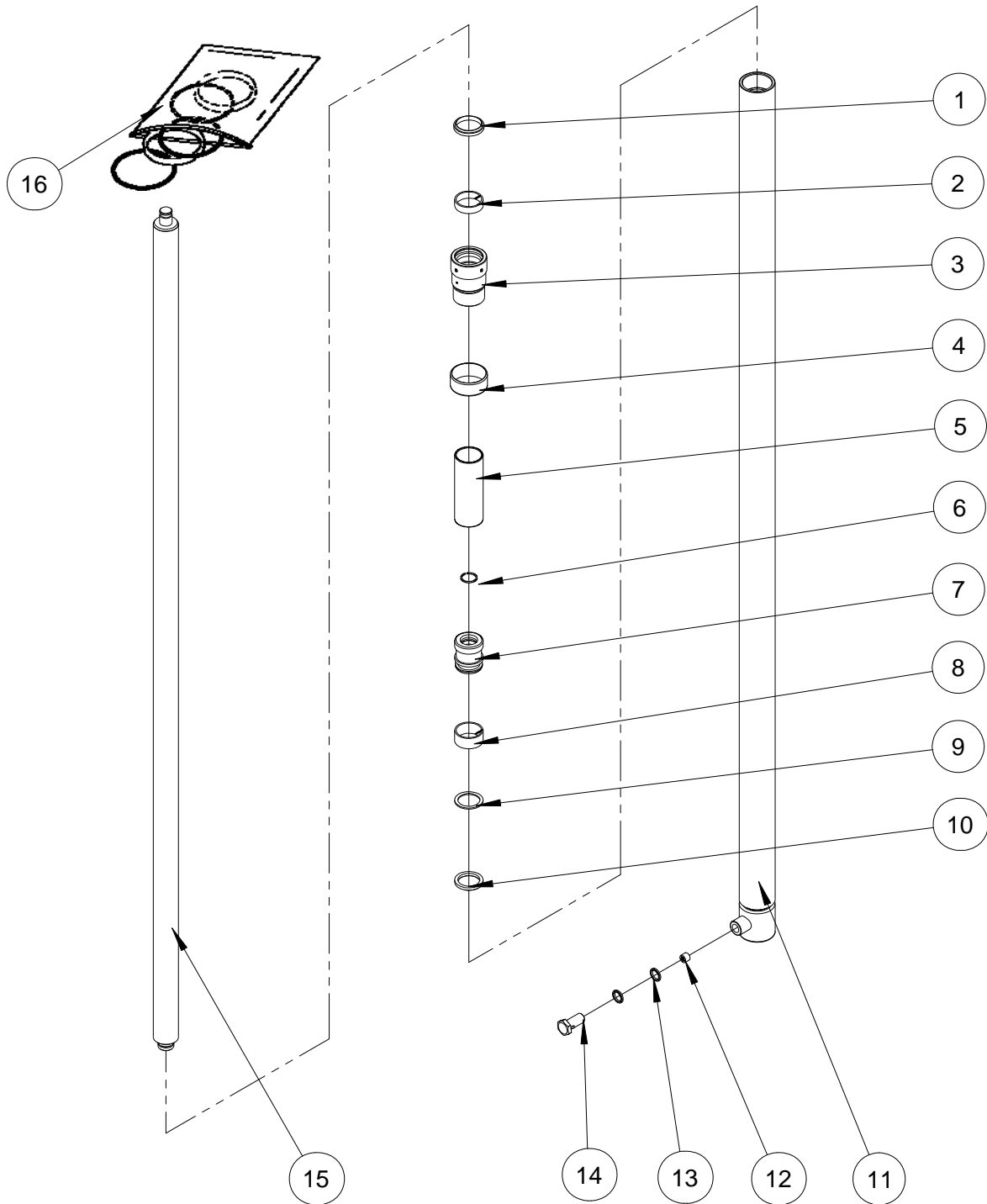
**Figure 3-2 Platform Assembly**

Item	Part Number	Description	Qty.	Remark
1	EGTWY10-141000	Railing assembly	1	
2	GB/T 6170-2000	Nut M5	4	
3	GB/T 97.1-2002	Washer 5	4	
4	GTBZ16A-43500	Handbook box	1	
5	EGTWY10-140002	Baffle	1	
6	GB/T 12615-1990	Non-core rivet 4x16	6	
7	GB/T 818-2000	Screw M5x16-H	4	
8	EGTWY10-142001	Jacket	2	
9	EGTWY10-142002	Ringer	2	
10	GB/T 889.1-2000	Nut M8	2	
11	GB/T 95-2002	Washer 8	4	
12	GB/T 5783-2000	Bolt M8x25	2	
13	EGTWY10-142003	Mid-rail tube	1	
14	EGTWY10-140004	Non-skid tape	2	
15	EGTWY10-140001	Toe board assembly	1	
16	GB/T 5783-2000	Bolt M6x50	8	
17	GB/T 889.1-2000	Nut M6	8	

# Hydraulic Cylinder

## Section 4

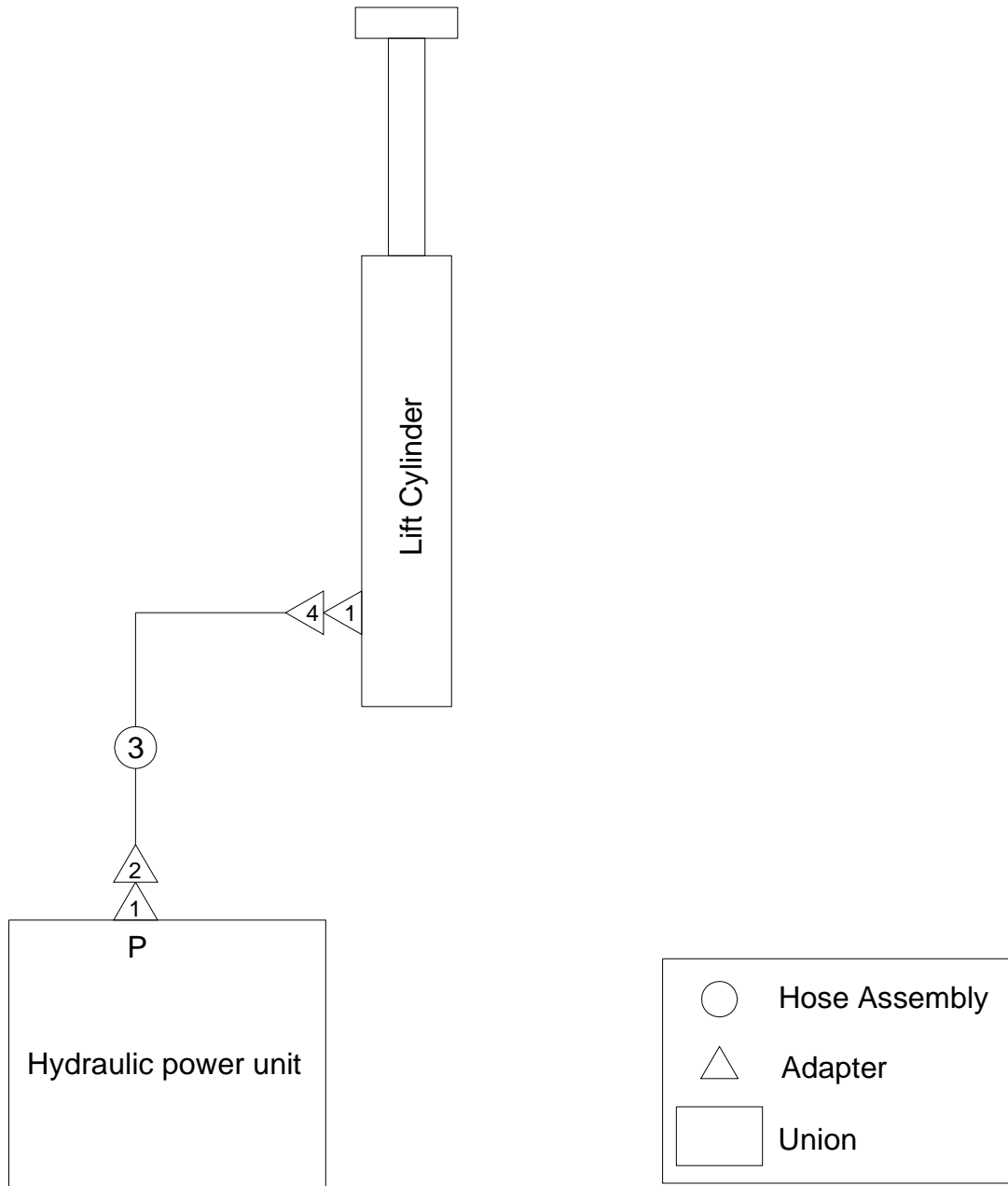
Figure 4-1 Hydraulic Cylinder Assembly



**Figure 4-1 Hydraulic Cylinder Assembly**

Item	Part Number	Description	Qty.	Remark
1	DH 40	Dustproof circle	1	
2	12x2.5	Supporting loop	1	
3	ZJ-DL-DG(SG)-04	Guide loop	1	
4	ZJ-DL-DG(SG)-07	Plastic loop	1	
5	ZJ-DL-DG(SG)-02(100)	Bushing	1	GTWY8/12-1200
	ZJ-DL-DG(SG)-02(230)		1	GTWY10-1200
	ZJ-DL-DG(SG)-02(365)		1	GTWY14-1200
6	GB/T 895.2-1986	Cover circle 25	1	
7	ZJ-DL-OPK-04	Piston	1	
8	20x2.5	Supporting loop	1	
9	DQ35x45x2	Cover circle	1	
10	USH 35	Pressurize loop	1	
11	ZJ-DL-DG(SG)-01(1588)	Cylinder	1	GTWY8/10/12-1200
	ZJ-DL-DG(SG)-01(2388)		1	GTWY14-1200
12	5806-01000300-01	Explosion-safe valve	1	
13	JB/T 892-1977	Gasket 16	2	
14	700M-16	Hose bolt	1	
15	ZJ-DL-DG(SG)-03(2422)	Piston rod	1	GTWY14-1200
	ZJ-DL-DG(SG)-03(1622)		1	GTWY8/10/12-1200
16		Seal kit	1	

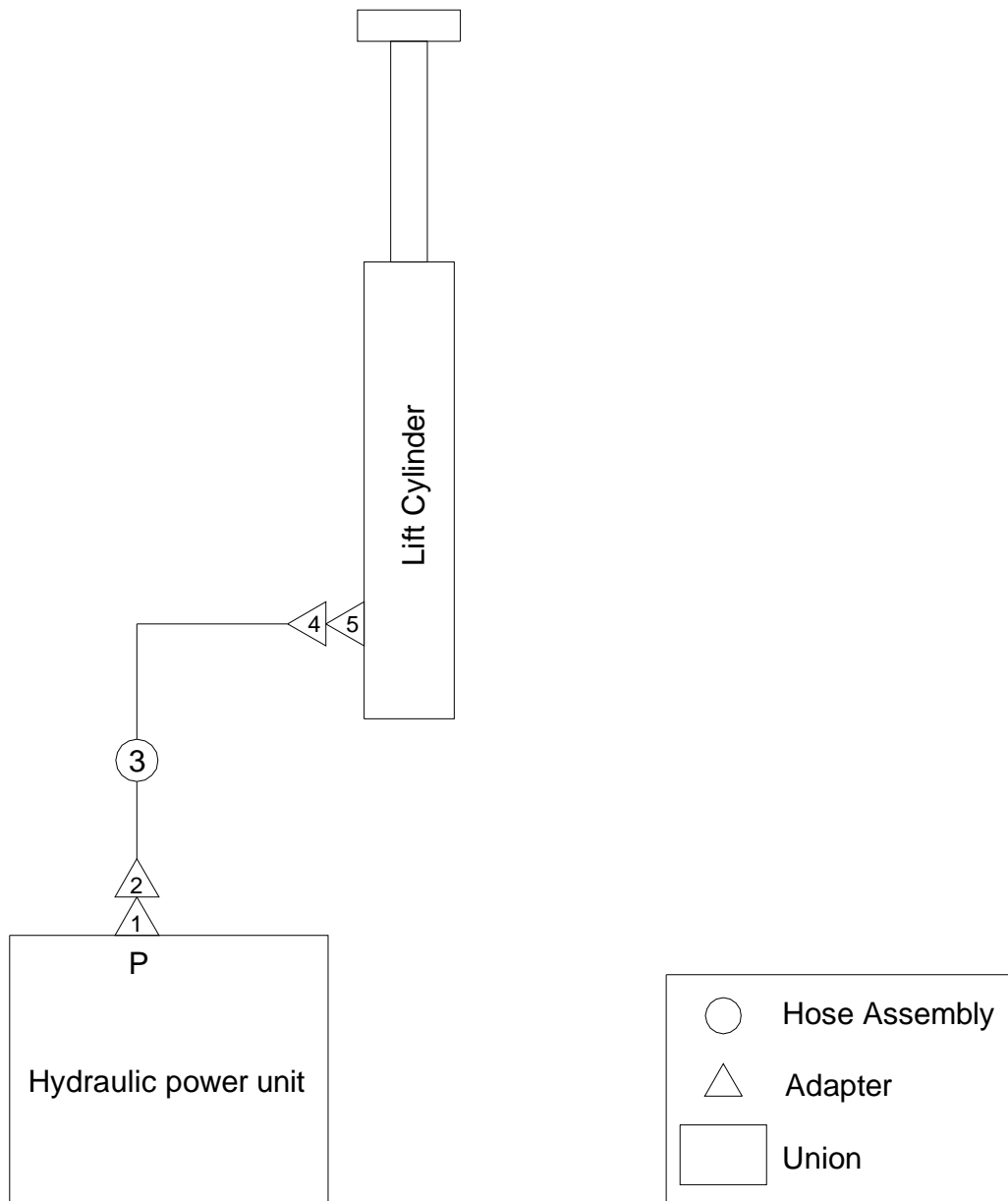
**Figure 4-2 Hydraulic Hoses and Fittings (DC Model)**



**Figure 4-2 Hydraulic Hoses and Fittings (DC Model)**

Item	Part Number	Description	Qty.	Remark
1	JB/T 892-1977	Washer 16	4	
2	720B-06	Hose bolt	1	
3	2SN08-M70011-16-05/M70011-06-05-1850V90°+S	Upper lift cylinder hose assembly	1	
4	700M-16	Hose bolt	1	

**Figure 4-3 Hydraulic Hoses and Fittings (AC Model)**



**Figure 4-3 Hydraulic Hoses and Fittings (AC Model)**

Item	Part Number	Description	Qty.	Remark
1	JB/T 892-1977	Washer 13	2	
2	720B-04	Hose bolt	1	
3	2SN08-M70011-16-05/M70011-04-05-1850V90°+S	Upper lift cylinder hose assembly	1	
4	700M-16	Hose bolt	1	
5	JB/T 892-1977	Washer 16	2	